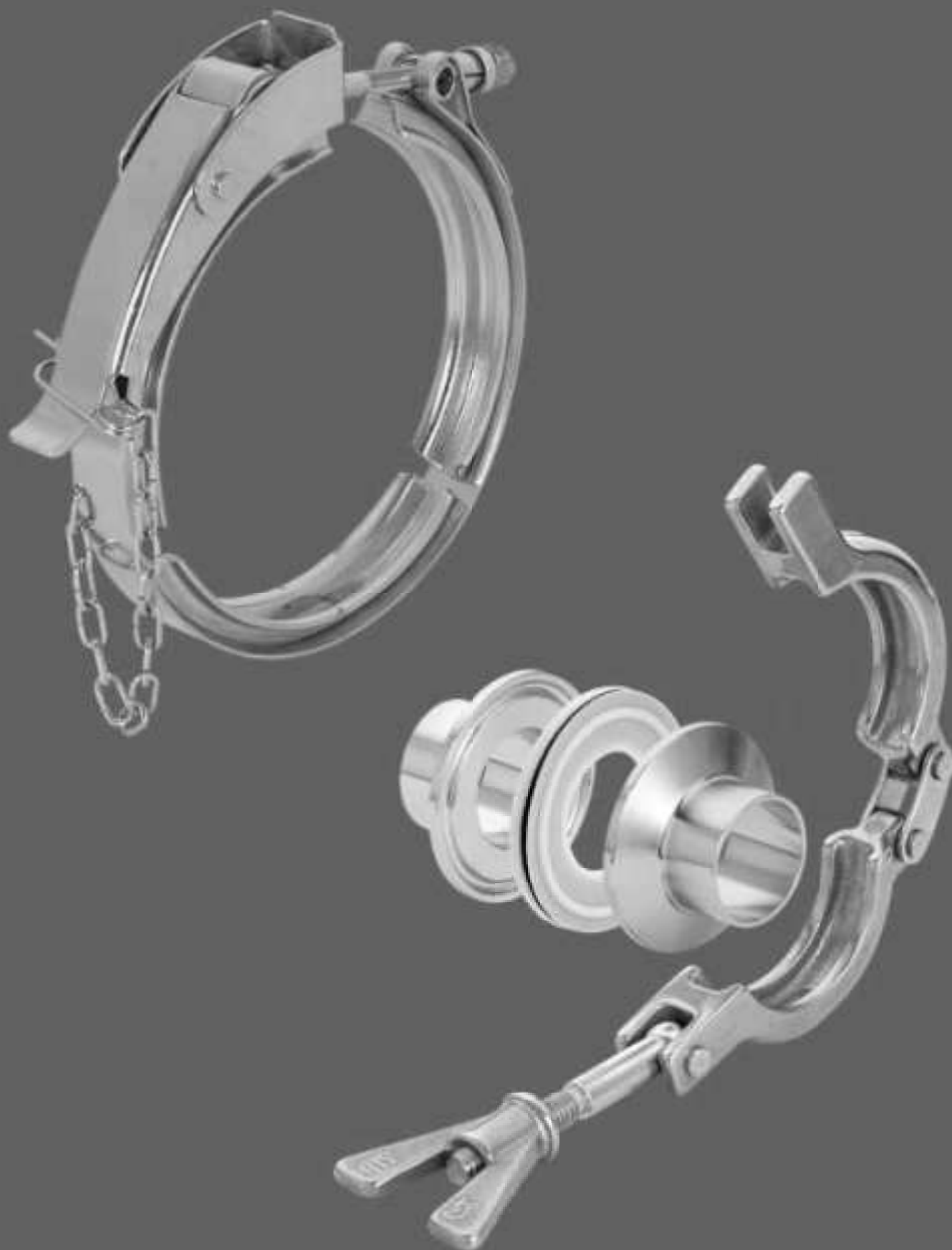


TerTech

www.tertech.no



CATALOGUE

Table of Contents

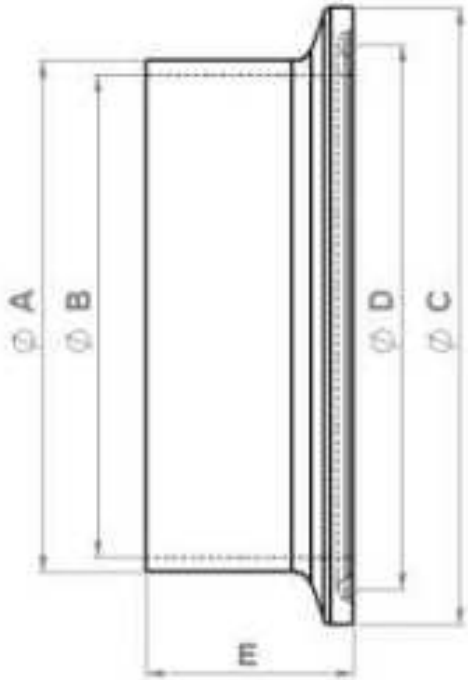
Ferrules DIN32676 sched. A, Short (KK)	6
Ferrules DIN32676 sched. A, Long (KL)	7
Ferrules DIN32676 sched. B, Short (KK)	8
Ferrules DIN32676 sched. B, Long (KL)	9
Ferrules DIN32676 sched. C, Short (KK)	10
Ferrules DIN32676 sched. C, Long (KL)	11
Ferrules ISO1127	12
Ferrules Non-Standard	13
Ferrules Mini-Series	14
Ferrules DIN32676 sched. A, short - EU Production	15
Ferrules DIN32676 sched. B/ISO 1127 - EU Production	16
Ferrules ASME BPE - EU Production	17
Ferrules SMS 3008 & SWG	18
Ferrules SMS 3017 & BS 4825-3 (A2:2009)	19
Blanks DIN32676 sched. A/B/C	20
Blanks DIN32676 sched. A/B/C - EU Production	21
AC-Clamp Type SH with Wing-Nut	22
AC-Clamp Type SH with Hex-Nut	23
AC-Clamp Type SH with Wing-Nut and TÜV-Approval	24
AC-Clamp Type SH with Hex-Nut and TÜV-Approval	25
AC-Clamp Type SH Safety with Wing-Nut	26
AC-Clamp Type SH Safety with Hex-Nut	27
AC-Clamp Type SH Safety with Wing-Nut and TÜV-Approval	30
AC-Clamp Type SH Safety with Hex-Nut and TÜV-Approval	31
AC Clamp, ceramic colour coated	32
AC-Clamp Type SSH with Stainless Steel Nut	34
AC-Clamp Type SSH with Brass Nut	35
AC-Clamp Type SSH with TÜV-Approval	36
AC-Clamp Type SSH cast Special Style DN 250 / 300 SRT with TÜV	37
AC-Clamp Type S with Wing-Nut	38
AC-Clamp Type S with Hex-Nut	39
AC-Clamp Type SP with Wing-Nut	40
AC-Clamp Type SPX with Hexnut	41
AC-Clamp Type ST with P-Nut	42
TEC-Clamp Type SX with Hexnut	43
TEC-Clamp Type L13 with Toggle Lever	44
AC-Clamp Type ASME VIII	45
AC-Clamp NY (Nylon Glass Reinforced)	46
Pharma-Clamp ®	47
EPDM Clamp-Gaskets	48
SILICONE Clamp-Gaskets	53
NBR Clamp-Gaskets	62
FKM Clamp-Gaskets	66
PTFE Clamp-Gaskets (White)	68
GYLON BIO-PRO	76
Hi-Temp Gasket up to 1000° C	78
Steam-Flon® Gaskets	80
Tri-Bond® Gaskets	82
Ferrule to Threaded Adaptor, male	84
Ferrule to Threaded Adaptor, male	85
Ferrule to Threaded Adaptor, female	86

Table of Contents

Ferrule to Threaded Adaptor, female	87
Ferrule to Hosetail (imperial).....	88
Ferrule to Hosetail (imperial).....	89
Ferrule to Threaded Adaptor, female	90
Ferrules DIN 32676 to Hosetails DIN 2817	92
Clamp Collar according to DIN 2817	93
Ferrule ended Reducers (concentric).....	94
Ferrule ended Reducers (concentric).....	95
Clamp ferrules with groove DIN11864-3, Form A, sched. A.....	98
Clamp ferrules with bund DIN11864-3, Form A, sched. A.....	99
Clamp ferrules with groove DIN11864-3, Form A, sched. B	100
Clamp ferrules with bund DIN11864-3, Form A, sched. B	101
Clamp ferrules with groove DIN11864-3, Form A, sched. C	102
Clamp ferrules with bund DIN11864-3, Form A, sched. C	103
Clamp ferrules with groove DIN11853-3, sched. A	104
Clamp ferrules with bund DIN11853-3, sched. A	105
Clamp ferrules with groove DIN11853-3, sched. B	106
Clamp ferrules with bund DIN11853-3, sched. B	107
Clamp ferrules with groove DIN11853-3, sched. C	108
Clamp ferrules with bund DIN11853-3, sched. C	109
Blind clamp ferrules with groove DIN11853-3, sched. C	110
Blind clamp ferrules with bund DIN11853-3, sched. C	111
EPDM O-Ring Gasket DIN11853-3, sched. A/B/C	112
FEP-enveloped O-Ring Gasket DIN11853-3, sched. A/B/C	113
Silicone O-Ring Gasket DIN11853-3, sched. A/B/C.....	115
AC-Clamp Type SH with Wing-Nut	116
AC-Clamp Type SH with Hex-Nut	117
AC-Clamp Type SH Safety with Wing-Nut	118
AC-Clamp Type SH Safety with Hex-Nut.....	119
V-Clamps - Slip Joint Connection.....	122
V-Clamps without Tension Band	125
V-Clamps with Tension Band	128
Bandclamps.....	136
Neoflex and Neorigid.....	138

Ferrules DIN32676 sched. A, Short (KK)

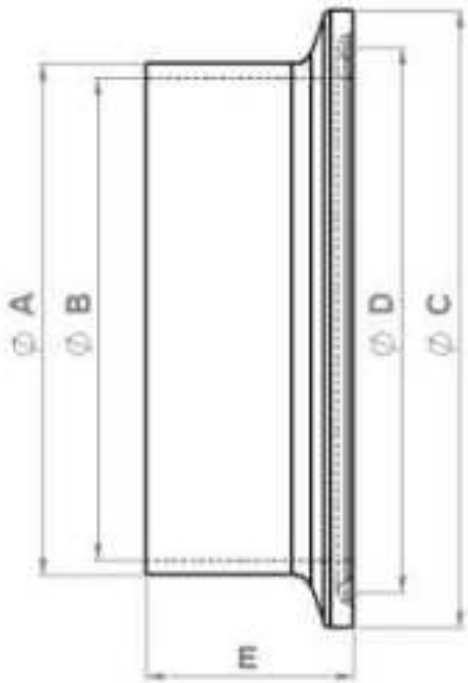
Material: AISI 316L (equiv. 1.4404), Surfaces according to Hygiene Class H3
3.1 Certificate (free of charge as download)



sched. A DN Metric	Tube OD A	Tube ID B	Flange OD C	Groove D	Short (KK) E	Item-No.
DN06	8,0	6,0	25,0	20,2	12,7	411980
DN08	10,0	8,0	25,0	20,2	12,7	411990
DN10	13,0	10,0	34,0	27,5	18,0	412001
DN15	19,0	16,0	34,0	27,5	18,0	412051
DN15	19,0	16,0	50,5	43,5	18,0	412060
DN20	23,0	20,0	34,0	27,5	18,0	412101
DN25	29,0	26,0	50,5	43,5	21,5	412151
DN32	35,0	32,0	50,5	43,5	21,5	412201
DN40	41,0	38,0	50,5	43,5	21,5	412251
DN50	53,0	50,0	64,0	56,5	21,5	412301
DN65	70,0	66,0	91,0	83,5	28,0	412350
DN80	85,0	81,0	106,0	97,0	28,0	412400
DN100	104,0	100,0	119,0	110,0	28,0	412450
DN125	129,0	125,0	155,0	146,0	28,0	412500
DN150	154,0	150,0	183,0	174,0	28,0	412550
DN200	204,0	200,0	233,5	225,0	28,0	412600

Ferrules DIN32676 sched. A, Long (KL)

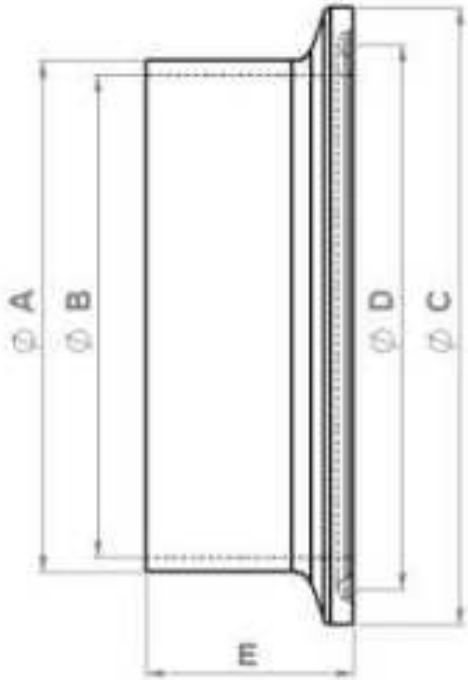
Material: AISI 316L (equiv. 1.4404), Surfaces according to Hygiene Class H3
3.1 Certificate (free of charge as download)



sched. A DN Metric	Tube OD A	Tube ID B	Flange OD C	Groove D	Long (KL) E	Item-No.
DN06	8,0	6,0	25,0	20,2	28,6	411985
DN08	10,0	8,0	25,0	20,2	28,6	411995
DN10	13,0	10,0	34,0	27,5	28,6	412005
DN15	19,0	16,0	34,0	27,5	28,6	412055
DN20	23,0	20,0	34,0	27,5	28,6	412105
DN25	29,0	26,0	50,5	43,5	36,0	412155
DN32	35,0	32,0	50,5	43,5	36,0	412205
DN40	41,0	38,0	50,5	43,5	36,0	412255
DN50	53,0	50,0	64,0	56,5	36,0	412305
DN65	70,0	66,0	91,0	83,5	48,0	412355
DN80	85,0	81,0	106,0	97,0	48,0	412405
DN100	104,0	100,0	119,0	110,0	48,0	412455
DN125	125,0	129,0	155,0	146,0	66,0	412505
DN150	150,0	154,0	183,0	174,0	66,0	412555
DN200	200,0	204,0	233,5	225,0	66,0	412605

Ferrules DIN32676 sched. B, Short (KK)

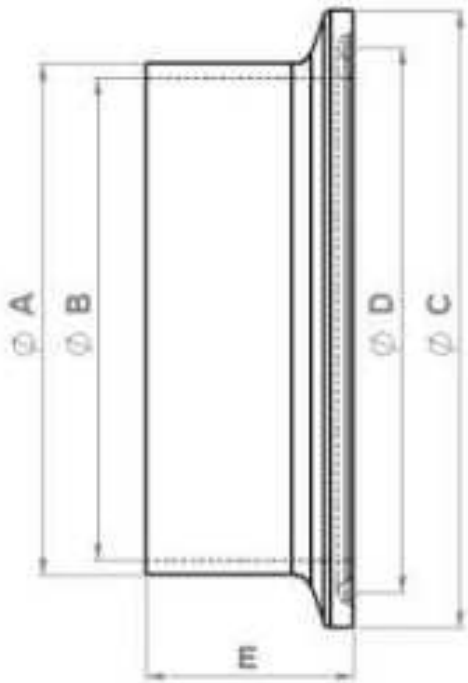
Material: AISI 316L (equiv. 1.4404), Surfaces according to Hygiene Class H3
3.1 Certificate (free of charge as download)



sched. B DN Metric	Tube OD A	Tube ID B	Flange OD C	Groove D	Short (KK) E	Item-No.
DN10,2 (NW06)	10,2	7,0	25,0	20,2	21,5	412950
DN13,5 (NW08)	13,5	10,3	25,0	20,2	12,7	412990
DN17,2 (NW10)	17,2	14,0	25,0	20,2	12,7	413040
DN17,2 (NW10)	17,2	14,0	50,5	43,5	21,5	413060
DN21,3 (NW15)	21,3	18,1	50,5	43,5	21,5	413100
DN26,9 (NW20)	26,9	23,7	50,5	43,5	21,5	413152
DN33,7 (NW25)	33,7	29,7	50,5	43,5	21,5	413200
DN42,4 (NW32)	42,4	38,4	64,0	56,5	21,5	413250
DN48,3 (NW40)	48,3	44,3	64,0	56,5	21,5	413300
DN60,3 (NW50)	60,3	56,3	77,5	70,5	28,0	413355
DN60,3 (NW50)	60,3	56,3	77,5	70,5	21,5	413350
DN76,1 (NW65)	76,1	72,1	91,0	83,5	28,0	413405
DN76,1 (NW65)	76,1	72,1	91,0	83,5	21,5	413400
DN88,9 (NW80)	88,9	84,3	106,0	97,0	28,0	413455
DN88,9 (NW80)	88,9	84,3	106,0	97,0	21,5	413450
DN114,3 (NW100)	114,3	109,7	130,0	122,0	28,0	413505
DN139,7 (NW125)	139,7	134,5	155,0	146,0	28,0	413555
DN168,3 (NW150)	168,3	163,1	183,0	174,0	28,0	413600
DN219,1 (NW200)	219,1	213,9	233,5	225,0	28,0	413650

Ferrules DIN32676 sched. B, Long (KL)

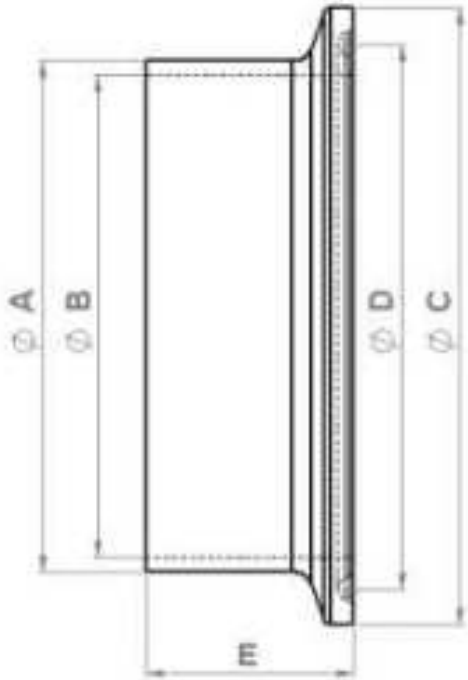
Material: AISI 316L (equiv. 1.4404), Surfaces according to Hygiene Class H3
3.1 Certificate (free of charge as download)



sched. B DN Metric	Tube OD A	Tube ID B	Flange OD C	Groove D	Short (KL) E	Item-No.
DN10,2 (NW06)	10,2	7,0	25,0	20,2	21,5	412950
DN13,5 (NW08)	13,5	10,3	25,0	20,2	28,6	413000
DN17,2 (NW10)	17,2	14,0	25,0	20,2	28,6	413050
DN21,3 (NW15)	21,3	18,1	50,5	43,5	36,0	413105
DN26,9 (NW20)	26,9	23,7	50,5	43,5	36,0	413155
DN33,7 (NW25)	33,7	29,7	50,5	43,5	36,0	413203
DN42,4 (NW32)	42,4	38,4	64,0	56,5	36,0	413253
DN48,3 (NW40)	48,3	44,3	64,0	56,5	36,0	413305
DN60,3 (NW50)	60,3	56,3	77,5	70,5	36,0	413360
DN76,1 (NW65)	76,1	72,1	91,0	83,5	48,0	413410
DN88,9 (NW80)	88,9	84,3	106,0	97,0	48,0	413460
DN114,3 (NW100)	114,3	109,7	130,0	122,0	48,0	413510
DN139,7 (NW125)	139,7	134,5	155,0	146,0	66,0	413556
DN168,3 (NW150)	168,3	163,1	183,0	174,0	66,0	413605
DN219,1 (NW200)	219,1	213,9	233,5	225,0	66,0	413655

Ferrules DIN32676 sched. C, Short (KK)

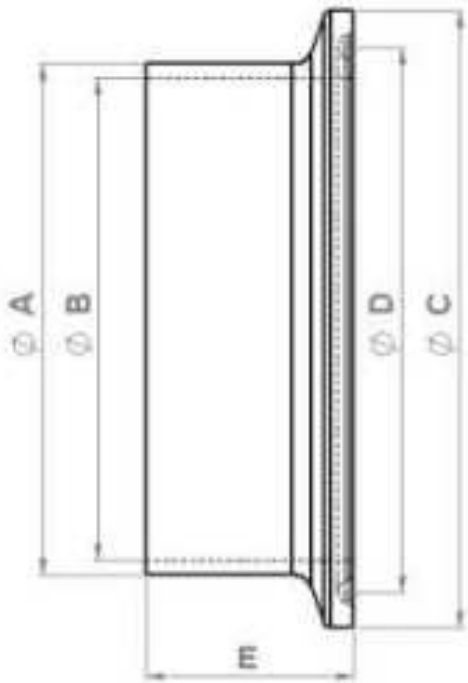
Material: AISI 316L (equiv. 1.4404), Surfaces according to Hygiene Class H3
3.1 Certificate (free of charge as download)



sched. C DN Metric	Tube OD A	Tube ID B	Flange OD C	Groove D	Short (KK) E	Item-No.
1/4"	6,35	4,57	25,0	20,2	12,7	414000
3/8"	9,53	7,75	25,0	20,2	12,7	414010
1/2"	12,70	9,40	25,0	20,2	12,7	414015
3/4"	19,05	15,75	25,0	20,2	12,7	414025
1"	25,40	22,10	50,5	43,5	21,5	414100
1 1/2"	38,10	34,80	50,5	43,5	21,5	414150
2"	50,80	47,50	64,0	56,5	21,5	414200
2 1/2"	63,50	60,20	77,5	70,5	28,0	414250
3"	76,20	72,90	91,0	83,5	28,0	414300
4"	101,60	97,38	119,0	110,0	28,0	414400
6"	152,40	146,86	167,0	156,5	28,0	414601

Ferrules DIN32676 sched. C, Long (KL)

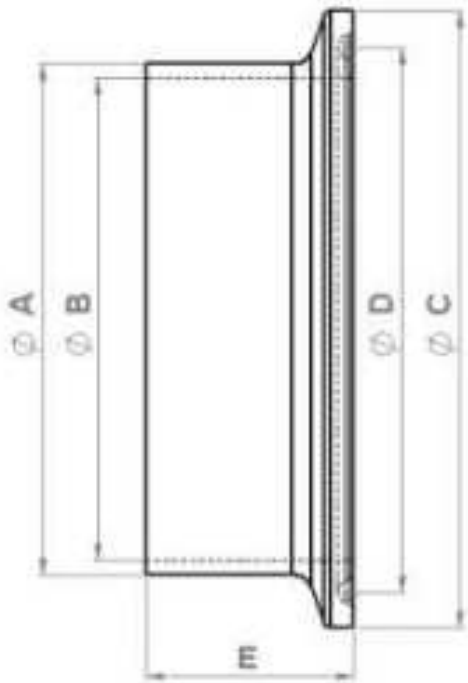
Material: AISI 316L (equiv. 1.4404), Surfaces according to Hygiene Class H3
3.1 Certificate (free of charge as download)



sched. C DN Metric	Tube OD A	Tube ID B	Flange OD C	Groove D	Long (KL) E	Item-No.
1/2"	12,70	9,40	25,0	20,2	28,6	414020
3/4"	19,05	15,75	25,0	20,2	28,6	414030
1"	25,40	22,10	50,5	43,5	36,0	414105
1 1/2"	38,10	34,80	50,5	43,5	36,0	414155
2"	50,80	47,50	64,0	56,5	36,0	414205
2 1/2"	63,50	60,20	77,5	70,5	36,0	414255
3"	76,20	72,90	91,0	83,5	48,0	414305
4"	101,60	97,38	119,0	110,0	48,0	414405
6"	152,40	146,86	167,0	156,5	66,0	414605

Ferrules ISO1127

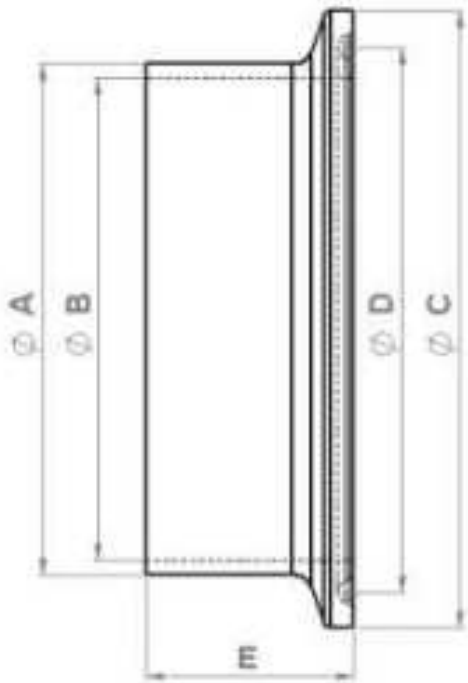
Material: AISI 316L (equiv. 1.4404), Surfaces according to Hygiene Class H3
3.1 Certificate (free of charge as download)



ISO 1127	Tube OD A	Tube ID B	Flange OD C	Groove D	Length E	Item-No.
DN 17,2 / 34,0	17,2	14,0	34,0	27,5	18,0	413055
DN 21,3 / 34,0	21,3	18,1	34,0	27,5	18,0	413101
DN 33,7 / (1,6)	33,7	30,5	50,5	43,5	21,5	413204
DN 42,4 / 50,5	42,4	38,4	50,5	43,5	21,5	413255
DN 60,3	60,3	56,3	77,5	70,5	21,5	413350
DN 88,9	88,9	84,9	106,0	97,0	21,5	413450
DN 273,0	273,0	267,8	286,1	276,0	28,0	413700
DN 323,9	323,9	318,7	338,0	328,0	28,0	413750

Ferrules Non-Standard

Material: AISI 316L (equiv. 1.4404), Surfaces according to Hygiene Class H3
3.1 Certificate (free of charge as download)



Non Standard	Tube OD A	Tube ID B	Flange OD C	Groove D	Length E	Item-No.
5"	129,0	125,0	144,4	134,4	28,0	414500
6"	154,0	150,0	167,0	156,5	28,0	414600
6" (US)	154,0	147,0	167,0	156,5	21,5	414602
8"	204,0	200,0	217,4	207,4	28,0	414700
8" (US)	203,2	197,66	217,4	207,4	28,0	414710
10" (DN250) KK/short	254,0	250,0	268,0	258,0	28,0	414800
10" (DN250) KL/long	254,0	250,0	268,0	258,0	66,0	414805
10 sched. 5	273,0	266,3	286,1	276,0	28,0	414850
12" (DN300)	306,0	300,0	319,0	309,0	28,0	414900
12" (DN300)	304,0	300,0	319,0	309,0	28,0	414901

Ferrules Mini-Series

Material: AISI 316L (equiv. 1.4404), Surfaces according to Hygiene Class H3
3.1 Certificate (free of charge as download)

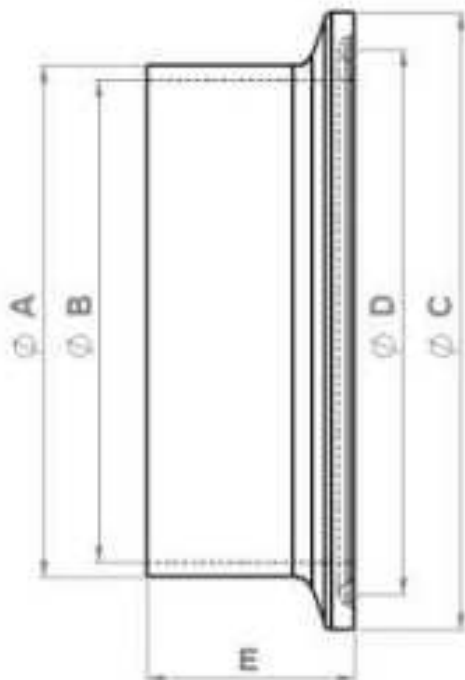


Mini Series	Tube OD A	Tube ID B	Flange OD C	Groove D	Length E	Item-No.
DN 06	6,0	4,0	25,0	20,2	21,5	415000
DN 08	8,0	6,0	25,0	20,2	21,5	415010
DN 08 KL	8,0	6,0	25,0	20,0	28,6	411985
DN 10 KL	10,0	8,0	25,0	20,2	28,6	411995
DN 12	12,0	10,0	25,0	20,2	21,5	415030
DN 12 KL	12,0	10,0	25,0	20,2	28,6	415032
DN 14	14,0	12,0	25,0	20,2	21,5	415040
DN 16	16,0	14,0	25,0	20,2	21,5	415050
DN 18	18,0	16,0	25,0	20,2	28,6	415060



Ferrules DIN32676 sched. A, short - EU Production

Material: AISI 316L (equiv. 1.4404), Surfaces according to Hygiene Class H3
3.1 Certificate (free of charge as download)

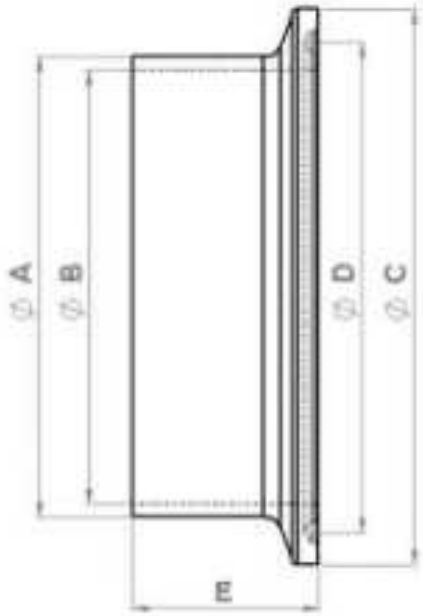


DN 32676 sched. A	Tube OD A	Tube ID B	Flange OD C	Groove D	Length E	Item-No.
DN10	13,0	10,0	34,0	27,5	18,0	402001
DN15	19,0	16,0	34,0	27,5	18,0	402051
DN20	23,0	20,0	34,0	27,5	18,0	402101
DN25	29,0	26,0	50,5	43,5	21,5	402151
DN32	35,0	32,0	50,5	43,5	21,5	402201
DN40	41,0	38,0	50,5	43,5	21,5	402251
DN50	53,0	50,0	64,0	56,5	21,5	402301
DN65	70,0	66,0	91,0	83,5	28,0	402350
DN80	85,0	81,0	106,0	97,0	28,0	402400
DN100	104,0	100,0	119,0	110,0	28,0	402450
DN125	129,0	125,0	155,0	146,0	28,0	402500
DN150	154,0	150,0	183,0	174,0	28,0	402550
DN200	204,0	200,0	233,5	225,0	28,0	402600



Ferrules DIN32676 sched. B/ISO 1127 - EU Production

Material: AISI 316L (equiv. 1.4404), Surfaces according to Hygiene Class H3
3.1 Certificate (free of charge as download)



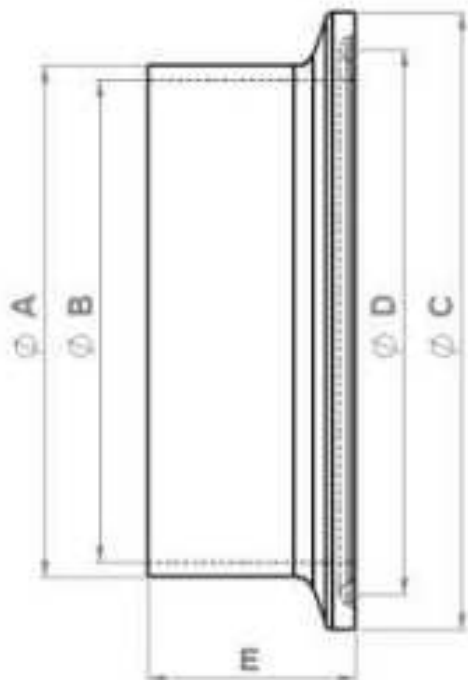
DIN 32676 sched. B/ ISO 1127	Tube OD A	Tube ID B	Flange OD C	Groove D	Short (KK) E	Item-No.
NW 13,5 / 25,0	13,5	10,3	25,0	20,2	21,5*	403000
NW 13,5 / 34,0	13,5	10,3	34,0*	27,5	18,0	403001
NW 13,5 / 50,5	13,5	10,3	50,5*	43,5	21,5	403002
NW 17,2 / 25,0	17,2	14,0	25,0	20,2	21,5*	403050
NW 17,2 / 34,0	17,2	14,0	34,0*	27,5	18,0	403051
NW 17,2 / 50,5	17,2	14,0	50,5*	43,5	21,5	403052
NW 21,3 / 34,0	21,3	18,1	34,0*	27,5	18,0	403101
NW 21,3 / 50,5	21,3	18,1	50,5	43,5	21,5	403100
NW 26,9	26,9	22,9*	50,5	43,5	21,5	403150
NW 26,9 (1,6)	26,9	23,7	50,5	43,5	21,5	403152
NW 33,7	33,7	29,7	50,5	43,5	21,5	403200
NW 33,7 (1,2)	33,7	31,3*	50,5	43,5	21,5	403203
NW 42,4 / 50,5	42,4	38,4	50,5*	43,5	21,5	403260
NW 42,4 / 64,0	42,4	38,4	64,0	56,5	21,5*	403250
NW 48,3	48,3	44,3	64,0	56,5	21,5*	403300
NW 60,3	60,3	56,3	77,5	70,5	21,5*	403350
NW 76,1	76,1	72,1	91,0	83,5	21,5*	403400
NW 88,9	88,9	84,9	106,0	97,0	21,5*	403451
NW 114,3	114,3	110,3*	130,0	122,0	28,0	403500
NW 137,7	139,7	135,7	155,0	146,0	28,0	403550
NW 168,3	168,3	163,3	183,0	174,0	28,0	403600
NW 219,1	219,1	213,9	233,5	225,0	28,0	403650
NW 273,0*	273,0	266,0	287,0	276,0	28,0	403700
NW 323,9*	323,9	318,7	338,0	328,0	28,0	400950

*Maße sind abweichend von der DIN 32676 Reihe B / * Dimensions are deviating from DIN 32676 series B



Ferrules ASME BPE - EU Production

Material: AISI 316L Low Sulphur, Surfaces according to Hygiene Class H3
3.1 Certificate (free of charge as download)

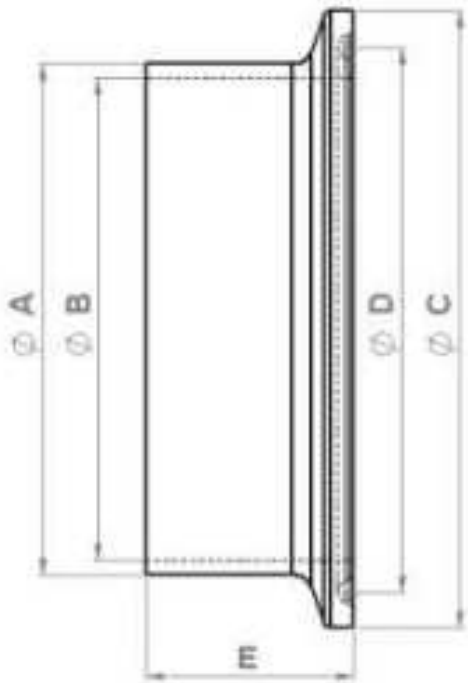


ASME BPE	Tube OD A	Tube ID B	Flange OD C	Groove D	Short (KK) E	Item-No.
1/4"	6,35	4,57	25,0	20,2	44,5	399990
3/8"	9,52	7,74	25,0	20,2	44,5	399995
1/2"	12,70	9,40	25,0	20,2	44,5	400001
3/4"	19,05	15,75	25,0	20,2	44,5	400051
1"	25,40	22,10	50,5	43,5	44,5	400101
1 1/2"	38,10	34,80	50,5	43,5	44,5	400151
2"	50,80	47,50	64,0	56,5	57,2	400201
2 1/2"	63,50	60,20	77,5	70,5	57,2	400251
3"	76,20	72,90	91,0	83,5	57,2	400301
4"	101,60	97,38	119,0	110,0	57,2	400401
6"	152,40	146,86	167,0	156,5	76,2	400601



Ferrules SMS 3008 & SWG

Material: AISI 316L (equiv. 1.4404), Surfaces according to Hygiene Class H3
3.1 Certificate (free of charge as download)

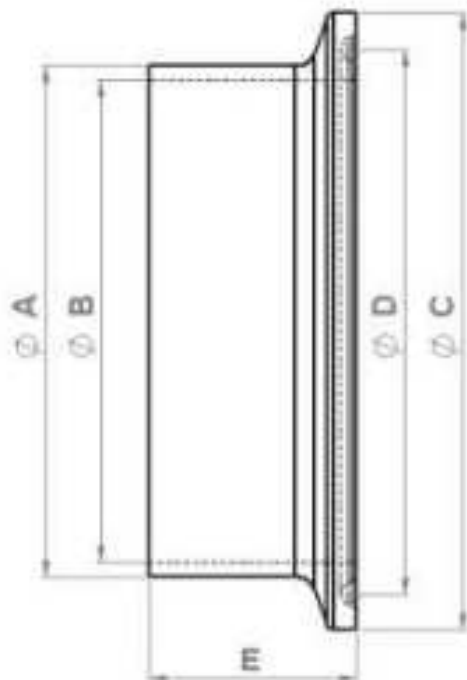


SMS 3008	Tube OD A	Tube ID B	Flange OD C	Groove D	Short (KK) E	Item-No.
NS 18	18,0	16,0	25,0	20,2	28,6	415060
NS 25	25,0	22,6	50,5	43,5	21,5	415100
NS 38	38,0	35,6	50,5	43,5	21,5	415150
NS 51	51,0	48,6	64,0	56,5	21,5	415200
NS 63,5	63,5	60,2	77,5	70,5	21,5	414252
NS 76,1	76,1	72,9	91,0	83,5	21,5	414310
NS 89	89,0	85,0	106,0	97,0	21,5	415350
NS 101,6	101,6	97,4	119,0	110,0	21,5	414410

SWG	Tube OD A	Tube ID B	Flange OD C	Groove D	Short (KK) E	Item-No.
NS 25,4	25,4	22,1	50,5	43,5	21,5	414100
NS 38,1	38,1	34,8	50,5	43,5	21,5	414150
NS 51	50,8	47,5	64,0	56,5	21,5	414200
NS 63,5	63,5	60,2	77,5	70,5	21,5	414252
NS 76,1	76,2	72,9	91,0	83,5	21,5	414310
NS 101,6	101,6	97,4	119,0	110,0	21,5	414410

Ferrules SMS 3017 & BS 4825-3 (A2:2009)

Material: AISI 316L (equiv. 1.4404), Surfaces according to Hygiene Class H3
3.1 Certificate (free of charge as download)

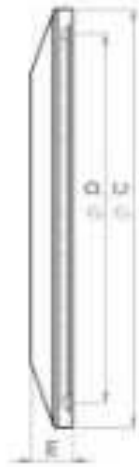


SMS 3017	Tube OD A	Tube ID B	Flange OD C	Groove D	Short (KK) E	Item-No.
NS 25	25,6	22,6	50,5	43,5	21,5	415500
NS 33,7	33,7	30,5	50,5	43,5	21,5	413204
NS 38	38,6	35,6	50,5	43,5	21,5	415600
NS 51	51,6	48,6	64,0	56,5	21,5	415650
NS 63,5	64,1	60,3	77,5	70,5	21,5	415700
NS 76,1	76,7	72,9	91,0	83,5	21,5	415750
NS 101,6	102,5	97,6	119,0	110,0	21,5	415850

BS 4825-3	Tube OD A	Tube ID B	Flange OD C	Groove D	Short (KK) E	Item-No.
1/2"	12,7	9,52	25,4	20,3	21,5	417015
3/4"	19,05	15,85	25,4	20,3	21,5	417025
1"	25,65	22,2	50,5	43,5	21,5	417100
1 1/2"	38,35	34,9	50,5	43,5	21,5	417150
2"	51,05	47,6	64,0	56,5	21,5	417200
2 1/2"	63,5	60,2	77,5	70,5	21,5	414252
3"	76,2	72,9	91,0	83,5	21,5	414310
4"	101,6	97,4	119,0	110,0	21,5	414410
6 5/8"	169,35	163,1	183,0	174,0	28,0	417500
8 5/8"	220,55	213,9	233,5	225,0	28,0	417550

Blanks DIN32676 sched. A/B/C

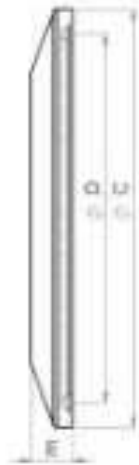
Material: AISI 316L (equiv. 1.4404), Surfaces according to Hygiene Class H3
3.1 Certificate (free of charge as download)



For flange Ø in mm	Tube Size / Nom. Sizes			C MM	D MM	E MM	Item-No.
	DIN 32676 sched. C / ISO 2852 / ASME BPE	DIN 32676 sched. B / ISO 1127	DIN 32676 sched. A				
25,0	1/4"-3/4"	NW 10,2-17,2	06-08	25,0	20,2	4,75	411000
34,0			10-15-20	34,0	27,5	6,35	411050
50,5	1"-1 1/2"	NW 21,3-33,7	25-32-40	50,5	43,5	6,35	411100
64,0	2"	NW 42,4-48,3	50	64,0	56,5	6,35	411150
77,5	2 1/2"	NW 60,3		77,5	70,5	6,35	411200
91,0	3"	NW 76,1	65	91,0	83,5	6,35	411250
106,0	3 1/2"	NW 88,9	80	106,0	97,0	6,35	411300
119,0	4"		100	119,0	110,0	8,0	411400
130,0		NW 114,3		130,0	122,0	8,0	411450
144,4	5"			144,4	134,4	10,0	411500
155,0		NW 139,7	125	155,0	146,0	8,0	411550
167,0	6"			167,0	156,5	14,0	411600
183,0		NW 168,3	150	183,0	174,0	14,0	411650
217,4	8"			217,4	207,4	14,0	411700
233,5	8 5/8"	NW 219,1	200	233,5	225,0	14,0	411750
268,0	10"		250	268,0	258,0	14,0	411800
286,1	10"s.5	NW 273,0		286,1	276,0	14,0	411850
319,0	12"		300	319,0	309,0	14,0	411900
338,0	12"s.5	NW 323,9		338,0	328,0	14,0	411950

Blanks DIN32676 sched. A/B/C - EU Production

Material: AISI 316L (equiv. 1.4404), Surfaces according to Hygiene Class H3
3.1 Certificate (free of charge as download)



For flange Ø in mm	Tube Size / Nom. Sizes			C MM	D MM	E MM	Item-No.
	DIN 32676 sched. C / ISO 2852 / ASME BPE	DIN 32676 sched. B / ISO 1127	DIN 32676 sched. A				
25,0	1/4"-3/4"	NW 10,2-17,2	06-08	25,0	20,2	5,6	401000
34,0			10-15-20	34,0	27,5	6,0	401050
50,5	1"-1 1/2"	NW 21,3-33,7	25-32-40	50,5	43,5	7,0	401100
64,0	2"	NW 42,4-48,3	50	64,0	56,5	7,0	401150
77,5	2 1/2"	NW 60,3		77,5	70,5	7,0	401200
91,0	3"	NW 76,1	65	91,0	83,5	7,0	401250
106,0	3 1/2"	NW 88,9	80	106,0	97,0	7,0	401300
119,0	4"		100	119,0	110,0	9,0	401400
130,0		NW 114,3		130,0	122,0	9,0	401450
144,4	5"			144,4	134,4	10,0	401500
155,0		NW 139,7	125	155,0	146,0	10,0	401550
167,0	6"			167,0	156,5	10,0	401600
183,0		NW 168,3	150	183,0	174,0	10,0	401650
217,4	8"			217,4	207,4	10,0	401700
233,5	8 5/8"	NW 219,1	200	233,5	225,0	10,0	401750
268,0	10"		250	268,0	258,0	10,0	401800
286,1	10"s.5	NW 273,0		286,1	276,0	10,0	401850
319,0	12"		300	319,0	309,0	10,0	401900
338,0	12"s.5	NW 323,9		338,0	328,0	10,0	401950

AC-Clamp Type SH with Wing-Nut

suitable for ferrules DIN 32676, ISO 2852, EN ISO 1127, BS 4825 and Non-standard



For flange Ø in mm	Tube Sizes / Nom. Sizes			Working pressure in bar at 150° C safety factor of 5	Working pressure in bar at 150° C safety factor of 2	Maximum Test Pressure in bar at 20° C	weight (g)	Type	Item-No.
	DIN 32676 sched. A	DIN 32676 sched. B (ISO 1127)	DIN 32676 sched. C (ISO 2852)						
25,0	06-08	08-10	¼"-¾"	20	50	100	150	SB	100000
34,0	10-15-20			20	50	100	170	SB	100100
50,5	25-32-40	15-20-25	1"-1½"	20	50	100	250	SB	100200
64,0	50	32-40	2"	20	50	100	330	SB	100300
77,5		50	2½"	20	50	100	380	SB	100400
91,0	65	65	3"	16	40	80	440	SB	100500
106,0	80	80	3½"	16	40	80	440	SB	100600
119,0	100		4"	14	35	70	570	SB	100700
130,0		100	4½"	12	30	60	600	SB	100900
144,4			5"	12	30	60	750	SB	100950
155,0	125	125	5½"	12	30	60	1390	SB	101100
155,0	125	125	5½"	12	30	60	1390	DB	101200
167,0			6"	12	30	60	1400	SB	101300
167,0			6"	12	30	60	1400	DB	101400
183,0	150	150	6⅝"	10	25	50	1690	SB	101510
183,0	150	150	6⅝"	10	25	50	1690	DB	101500
217,4			8"	8	20	40	2190	SB	101605
217,4			8"	8	20	40	2190	DB	101600
233,5	200	200	8⅝"	8	20	40	2340	SB	101811
233,5	200	200	8⅝"	8	20	40	2340	DB	101800
268,0	250		10"	6,4	16	32	2780	SB	101915
268,0	250		10"	6,4	16	32	2780	DB	101900
286,1		250	10"s.5	6,4	16	32	2970	SB	102005
286,1		250	10"s.5	6,4	16	32	2970	DB	102000
319,0	300		12"	4	10	20	3370	SB	102112
319,0	300		12"	4	10	20	3370	DB	102100
338,0		300	12"s.5	4	10	20	3690	SB	102212
338,0		300	12"s.5	4	10	20	3690	DB	102200

AC-Clamp Type SH with Hex-Nut

suitable for ferrules DIN 32676, ISO 2852, EN ISO 1127, BS 4825 and Non-standard



For flange Ø in mm	Tube Sizes / Nom. Sizes			Working pressure in bar at 150° C	Working pressure in bar at 150° C	Maximum Test Pressure in bar at 20° C	weight (g)	Type	Item-No.
	DIN 32676 sched. A	DIN 32676 sched. B (ISO 1127)	DIN 32676 sched. C (ISO 2852)	safety factor of 5	safety factor of 2				
25,0	06-08	08-10	1/4"-3/4"	20	50	100	150	SBX	100010
34,0	10-15-20			20	50	100	170	SBX	100110
50,5	25-32-40	15-20-25	1"-1 1/2"	20	50	100	250	SBX	100210
64,0	50	32-40	2"	20	50	100	330	SBX	100310
77,5		50	2 1/2"	20	50	100	380	SBX	100410
91,0	65	65	3"	16	40	80	440	SBX	100510
106,0	80	80	3 1/2"	16	40	80	440	SBX	100610
119,0	100		4"	14	35	70	570	SBX	100710
130,0		100	4 1/2"	12	30	60	600	SBX	100910
144,4			5"	12	30	60	750	SBX	100960
155,0	125	125	5 1/2"	12	30	60	1390	SBX	101110
155,0	125	125	5 1/2"	12	30	60	1390	DBX	101201
167,0			6"	12	30	60	1400	SBX	101310
167,0			6"	12	30	60	1400	DBX	101410
183,0	150	150	6 5/8"	10	25	50	1690	SBX	101512
183,0	150	150	6 5/8"	10	25	50	1690	DBX	101509
217,4			8"	8	20	40	2190	SBX	101606
217,4			8"	8	20	40	2190	DBX	101610
233,5	200	200	8 5/8"	8	20	40	2340	SBX	101812
233,5	200	200	8 5/8"	8	20	40	2340	DBX	101810
268,0	250		10"	6,4	16	32	2780	SBX	101916
268,0	250		10"	6,4	16	32	2780	DBX	101910
286,1		250	10"s.5	6,4	16	32	2970	SBX	102006
286,1		250	10"s.5	6,4	16	32	2970	DBX	102010
319,0	300		12"	4	10	20	3370	SBX	102113
319,0	300		12"	4	10	20	3370	DBX	102110
338,0		300	12"s.5	4	10	20	3690	SBX	102213
338,0		300	12"s.5	4	10	20	3690	DBX	102210

AC-Clamp Type SH with Wing-Nut and TÜV-Approval

suitable for ferrules DIN 32676, ISO 2852, EN ISO 1127, BS 4825 and Non-standard



For flange Ø in mm	Tube Sizes / Nom. Sizes			Max Working Pressure @ 150° C (bar)	max. Test Pressure (bar)	weight (g)	Type	Item-No.
	DIN 32676 sched. A	DIN 32676 sched. B (ISO 1127)	DIN 32676 sched. C (ISO 2852)					
25,0	06-08	08-10	1/4"-3/4"	20	10	150	SB	100002
34,0	10-15-20			20	10	170	SB	100102
50,5	25-32-40	15-20-25	1"-1 1/2"	20	10	250	SB	100202
64,0	50	32-40	2"	20	10	330	SB	100302
77,5		50	2 1/2"	20	10	380	SB	100402
91,0	65	65	3"	19	10	440	SB	100502
106,0	80	80	3 1/2"	17	10	440	SB	100602
119,0	100		4"	14	10	570	SB	100702
155,0	125	125	5 1/2"	12	10	1390	SB	101102
167,0			6"	10	10	1400	SB	101302
183,0	150	150	6 5/8"	10	10	1690	SB	101505
183,0	150	150	6 5/8"	10	10	1690	DB	101502
217,4			8"	10	10	2190	DB	101602
233,5	200	200	8 5/8"	10	10	2340	SB	101801
233,5	200	200	8 5/8"	10	10	2340	DB	101802

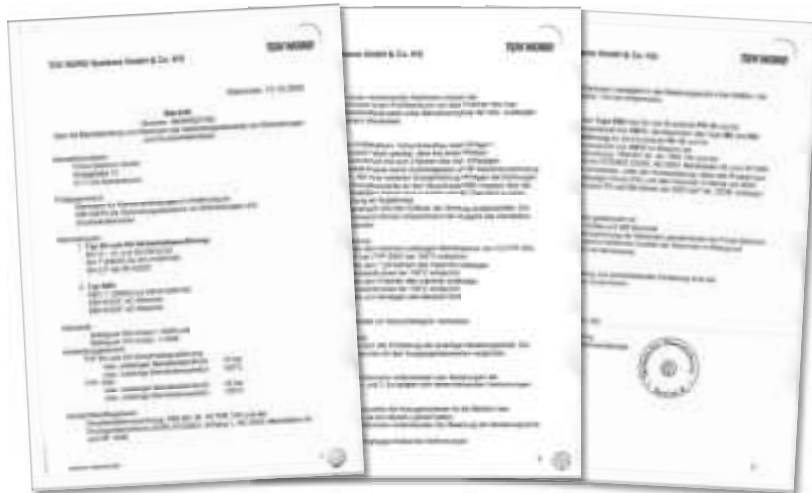


AC-Clamp Type SH with Hex-Nut and TÜV-Approval

suitable for ferrules DIN 32676, ISO 2852, EN ISO 1127, BS 4825 and Non-standard



For flange Ø in mm	Tube Sizes / Nom. Sizes			Max Working Pressure @ 150° C (bar)	max. Test Pressure (bar)	weight (g)	Type	Item-No.
	DIN 32676 sched. A	DIN 32676 sched. B (ISO 1127)	DIN 32676 sched. C (ISO 2852)					
25,0	06-08	08-10	¼"-¾"	20	10	150	SB	100004
34,0	10-15-20			20	10	170	SB	100104
50,5	25-32-40	15-20-25	1"-1½"	20	10	250	SB	100204
64,0	50	32-40	2"	20	10	330	SB	100304
77,5		50	2½"	20	10	380	SB	100404
91,0	65	65	3"	19	10	440	SB	100506
106,0	80	80	3½"	17	10	440	SB	100604
119,0	100		4"	14	10	570	SB	100706
155,0	125	125	5½"	12	10	1390	SB	101103
167,0			6"	10	10	1400	SB	101303
183,0	150	150	6⅝"	10	10	1690	SB	101501
183,0	150	150	6⅝"	10	10	1690	DB	101504
217,4			8"	10	10	2190	SB	101609
217,4			8"	10	10	2190	DB	101604
233,5	200	200	8⅝"	10	10	2340	SB	101806
233,5	200	200	8⅝"	10	10	2340	DB	101804



AC-Clamp Type SH Safety with Wing-Nut

suitable for ferrules DIN 32676, ISO 2852, EN ISO 1127, BS 4825 and Non-standard



For flange Ø in mm	Tube Sizes / Nom. Sizes			Working pressure in bar at 150° C safety factor of 5	Working pressure in bar at 150° C safety factor of 2	Maximum Test Pressure in bar at 20° C	weight (g)	Type	Item-No.
	DIN 32676 sched. A	DIN 32676 sched. B (ISO 1127)	DIN 32676 sched. C (ISO 2852)						
25,0	06-08	08-10	¼"-¾"	20	50	100	150	SB	100005
34,0	10-15-20			20	50	100	170	SB	100105
50,5	25-32-40	15-20-25	1"-1½"	20	50	100	250	SB	100205
64,0	50	32-40	2"	20	50	100	330	SB	100305
77,5		50	2½"	20	50	100	380	SB	100405
91,0	65	65	3"	16	40	80	440	SB	100505
106,0	80	80	3½"	16	40	80	440	SB	100605
119,0	100		4"	14	35	70	570	SB	100705
130,0		100	4½"	12	30	60	600	SB	100905
144,4			5"	12	30	60	750	SB	100955
155,0	125	125	5½"	12	30	60	1390	SB	101105
167,0			6"	12	30	60	1400	SB	101305
183,0	150	150	6⅝"	10	25	50	1690	SB	101515
217,4			8"	8	20	40	2190	SB	101615
233,5	200	200	8⅝"	8	20	40	2340	SB	101815
268,0	250		10"	6,4	16	32	2780	SB	101920
286,1		250	10"s.5	6,4	16	32	2970	SB	102015
319,0	300		12"	4	10	20	3370	SB	102115
338,0		300	12"s.5	4	10	20	3690	SB	102215

AC-Clamp Type SH Safety with Hex-Nut

suitable for ferrules DIN 32676, ISO 2852, EN ISO 1127, BS 4825 and Non-standard



For flange Ø in mm	Tube Sizes / Nom. Sizes			Working pressure in bar at 150° C safety factor of 5	Working pressure in bar at 150° C safety factor of 2	Maximum Test Pressure in bar at 20° C	weight (g)	Type	Item-No.
	DIN 32676 sched. A	DIN 32676 sched. B (ISO 1127)	DIN 32676 sched. C (ISO 2852)						
25,0	06-08	08-10	¼"-¾"	20	50	100	150	SB	100006
34,0	10-15-20			20	50	100	170	SB	100106
50,5	25-32-40	15-20-25	1"-1½"	20	50	100	250	SB	100206
64,0	50	32-40	2"	20	50	100	330	SB	100306
77,5		50	2½"	20	50	100	380	SB	100406
91,0	65	65	3"	16	40	80	440	SB	100507
106,0	80	80	3½"	16	40	80	440	SB	100606
119,0	100		4"	14	35	70	570	SB	100707
130,0		100	4½"	12	30	60	600	SB	100908
144,4			5"	12	30	60	750	SB	100956
155,0	125	125	5½"	12	30	60	1390	SB	101106
167,0			6"	12	30	60	1400	SB	101306
183,0	150	150	6⅝"	10	25	50	1690	SB	101516
217,4			8"	8	20	40	2190	SB	101616
233,5	200	200	8⅝"	8	20	40	2340	SB	101816
268,0	250		10"	6,4	16	32	2780	SB	101921
286,1		250	10"s.5	6,4	16	32	2970	SB	102016
319,0	300		12"	4	10	20	3370	SB	102116
338,0		300	12"s.5	4	10	20	3690	SB	102216

AC-Clamp Type SH Safety



The 'gate' style section combined with the stepped eyebolt ensures that the clamps bolting mechanism cannot swing open whilst the clamping union is partly or fully assembled.



Releasing the clamp is only possible when the wing nut has been significantly loosened to enable the smaller diameter of the eyebolt to swing open and pass through the sectioned gate; this ensures the clamp cannot be knocked or accidentally opened. Complete wing nut removal is not necessary to open the clamp but the design guarantees that the eyebolt cannot swing open whilst the union is subjected to either clamping forces or internal pressure.



It is not possible to open the clamp by accident. Thus this clamp fulfils the safety requirements of numerous end-users in the chemical-, pharmaceutical- and food industry.

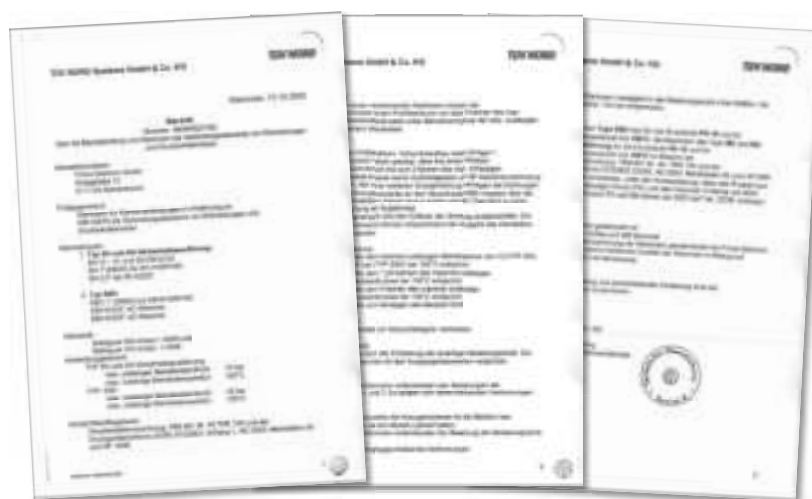
The clamps are available in all common sizes and can be supplied with TÜV-Approval on request.

AC-Clamp Type SH Safety with Wing-Nut and TÜV-Approval

suitable for ferrules DIN 32676, ISO 2852, EN ISO 1127, BS 4825 and Non-standard



For flange Ø in mm	Tube Sizes / Nom. Sizes			Max Working Pressure @ 150° C (bar)	max. Test Pressure (bar)	weight (g)	Type	Item-No.
	DIN 32676 sched. C / ISO 2852	DIN 32676 sched. B / ISO 1127	DIN 32676 sched. A					
25,0	06-08	08-10	¼"-¾"	20	10	150	SB	100003
34,0	10-15-20			20	10	170	SB	100103
50,5	25-32-40	15-20-25	1"-1½"	20	10	250	SB	100203
64,0	50	32-40	2"	20	10	330	SB	100303
77,5		50	2½"	20	10	380	SB	100403
91,0	65	65	3"	19	10	440	SB	100503
106,0	80	80	3½"	17	10	440	SB	100603
119,0	100		4"	14	10	570	SB	100703
155,0	125	125	5½"	12	10	1390	SB	101202
167,0			6"	10	10	1400	SB	101307
183,0	150	150	6⅝"	10	10	1690	SB	101517
217,4			8"	10	10	2190	SB	101603
233,5	200	200	8⅝"	10	10	2340	SB	101803

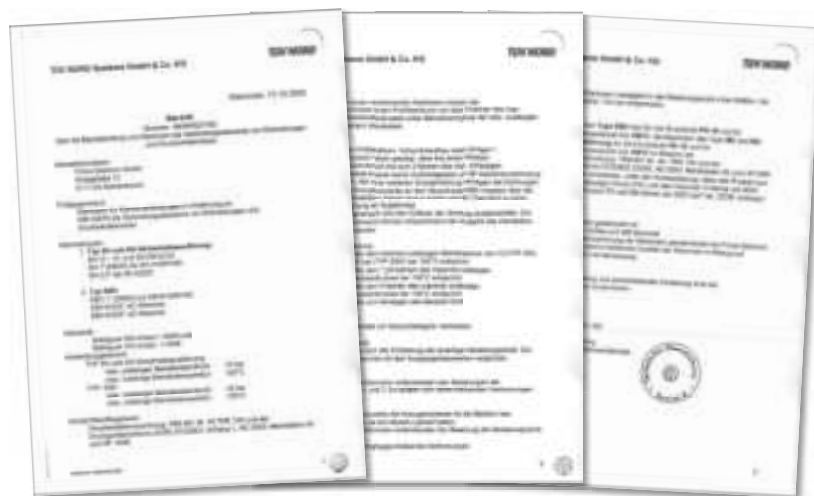


AC-Clamp Type SH Safety with Hex-Nut and TÜV-Approval

suitable for ferrules DIN 32676, ISO 2852, EN ISO 1127, BS 4825 and Non-standard



For flange Ø in mm	Tube Sizes / Nom. Sizes			Max Working Pressure @ 150° C (bar)	max. Test Pressure (bar)	weight (g)	Type	Item-No.
	DIN 32676 sched. C / ISO 2852	DIN 32676 sched. B / ISO 1127	DIN 32676 sched. A					
25,0	06-08	08-10	1/4"-3/4"	20	10	150	SB	100007
34,0	10-15-20			20	10	170	SB	100108
50,5	25-32-40	15-20-25	1"-1 1/2"	20	10	250	SB	100207
64,0	50	32-40	2"	20	10	330	SB	100307
77,5		50	2 1/2"	20	10	380	SB	100407
91,0	65	65	3"	19	10	440	SB	100504
106,0	80	80	3 1/2"	17	10	440	SB	100607
119,0	100		4"	14	10	570	SB	100704
155,0	125	125	5 1/2"	12	10	1390	SB	101203
167,0			6"	10	10	1400	SB	101308
183,0	150	150	6 5/8"	10	10	1690	SB	101518
217,4			8"	10	10	2190	SB	101608
233,5	200	200	8 5/8"	10	10	2340	SB	101805



AC Clamp, ceramic colour coated



New Colour Coded Clamps

At Advanced Couplings we dedicate ourselves to continuous improvement of our products and processes. We are actively involved in research & development of new ideas and products to bring to market. This is driven both by Advanced Couplings & customer specific requirements – we welcome feedback & suggestions for any existing & new product ideas you may have.

The coated clamp is the result of industry led requirements and also what we believe to be a useful addition to process and validation engineers for line identification.

Product outline:

The Colour Coded Clamp is coated with an innovative thin layer of ceramic material suspended in a resin binder. The film is very hard and durable when compared coatings of a similar nature. It is available for application to all sizes & styles of our clamp range.

Advantages:

- Immediate & correct identification of individual or multiple lines within short runs or whole facilities
- Most colours are available
- FDA compliant
- Thin film – 8 to 12 microns
- Resistance to acids and solvents (1% NAOH over 1 hour having no effect – the most common CIP solvent)
- Excellent impact resistance
- Anti-galling qualities
- Enhances corrosion resistance

AC Clamp, ceramic colour coated



AC-Clamp Type SSH with Stainless Steel Nut

suitable for ferrules DIN 32676, ISO 2852, EN ISO 1127, BS 4825 and Non-standard



For flange Ø in mm	Tube Sizes / Nom. Sizes			Max Working Pressure @ 150° C (bar)	weight (g)	Item-No.
	DIN 32676 sched. C / ISO 2852	DIN 32676 sched. B / ISO 1127	DIN 32676 sched. A			
25,0	06-08	08-10	1/4"-3/4"	75	160	103800
34,0	10-15-20			75	220	103900
50,5	25-40	15-20-25	1"-1 1/2"	75	660	104000
64,0	50	32-40	2"	55	820	104100
77,5		50	2 1/2"	50	940	104200
91,0	65	65	3"	45	1020	104300
106,0	80	80	3 1/2"	40	1070	104400
119,0	100		4"	40	1270	104500
130,0		100	4 1/2"	40	1330	104600
155,0	125	125	5 1/2"	30	1760	104800
167,0			6"	30	1930	104900
183,0	150	150	6 5/8"	25	2110	105000
233,5	200	200	8 5/8"	20	2520	105200



AC-Clamp Type SSH with Brass Nut

suitable for ferrules DIN 32676, ISO 2852, EN ISO 1127, BS 4825 and Non-standard



For flange Ø in mm	Tube Sizes / Nom. Sizes			Max Working Pressure @ 150° C (bar)	weight (g)	Item-No.
	DIN 32676 sched. C / ISO 2852	DIN 32676 sched. B / ISO 1127	DIN 32676 sched. A			
25,0	06-08	08-10	1/4"-3/4"	75	160	103805
34,0	10-15-20			75	220	103905
50,5	25-40	15-20-25	1"-1 1/2"	75	660	104005
64,0	50	32-40	2"	55	820	104105
77,5		50	2 1/2"	50	940	104205
91,0	65	65	3"	45	1020	104305
106,0	80	80	3 1/2"	40	1070	104405
119,0	100		4"	40	1270	104505
130,0		100	4 1/2"	40	1330	104605
155,0	125	125	5 1/2"	30	1760	104805
167,0			6"	30	1930	104905
183,0	150	150	6 5/8"	25	2110	105005
233,5	200	200	8 5/8"	20	2520	105205



AC-Clamp Type SSH with TÜV-Approval

suitable for ferrules DIN 32676, ISO 2852, EN ISO 1127, BS 4825 and Non-standard



For flange Ø in mm	Tube Sizes / Nom. Sizes			Max Working Pressure @ 150° C (bar)	weight (g)	Item-No.
	DIN 32676 sched. A	DIN 32676 sched. B (ISO 1127)	DIN 32676 sched. C (ISO 2852)			
25,0	06-08	08-10	¼"-¾"	16	160	103802
34,0	10-15-20			16	220	103902
50,5	25-40	15-20-25	1"-1½"	16	660	104002
64,0	50	32-40	2"	16	820	104102
77,5		50	2½"	16	940	104202
91,0	65	65	3"	16	1020	104302
106,0	80	80	3½"	16	1070	104402
119,0	100		4"	16	1270	104502
183,0	150	150	6⅝"	16	2110	105002
233,5	200	200	8⅝"	16	2520	105202

Remarks !

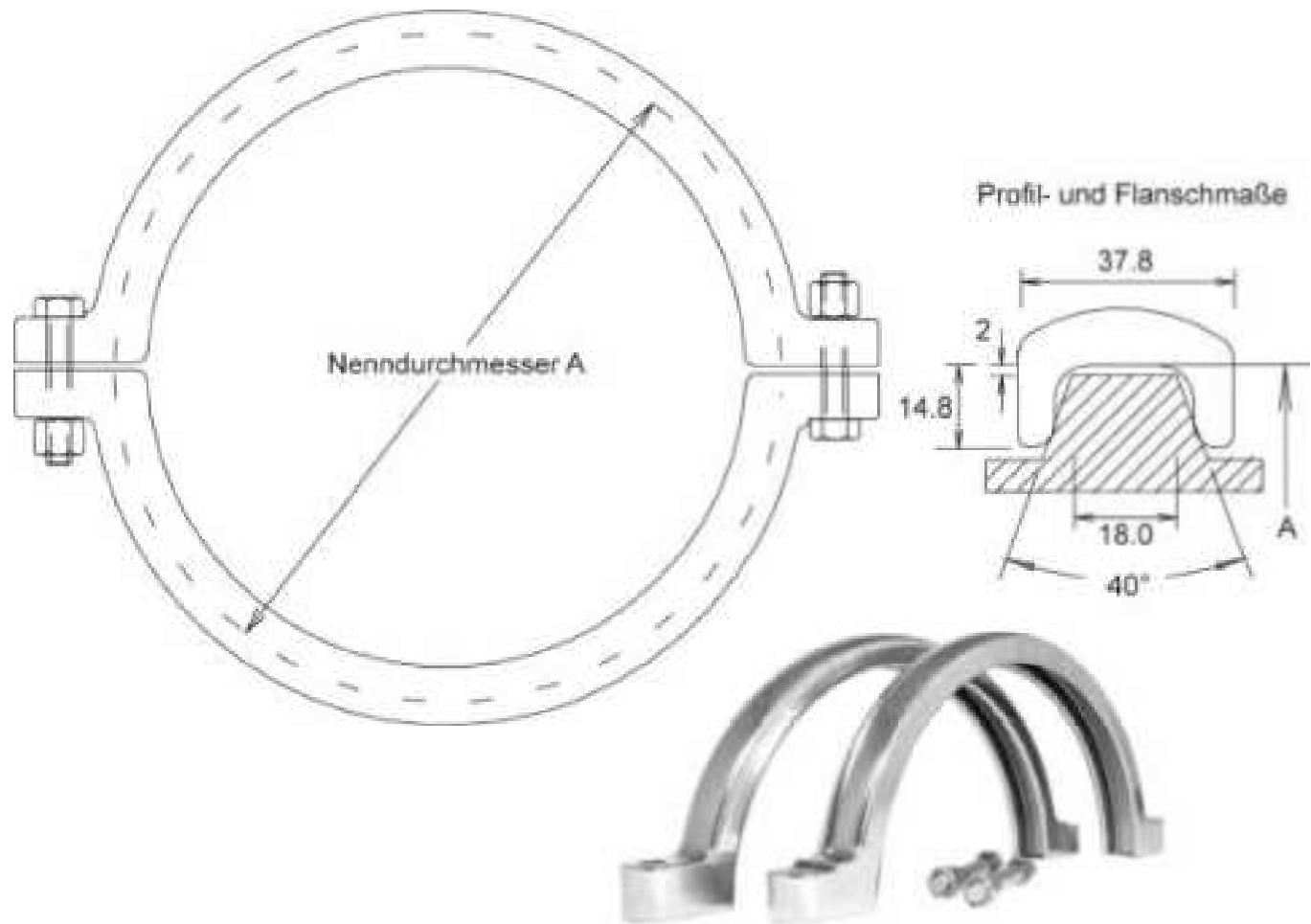
After maximum high pressure loading and release the torque of the nuts needs to be checked to confirm correct torque values.

„All clamps tested can be used for applications up to 10 bar and temperature up to 150°C according to Pressure Equipment Directive.“

* TÜV-Report- No. W4834W027450 TÜV NORD

AC-Clamp Type SSH cast Special Style DN 250 / 300 SRT with TÜV

These V-Clamps are not conform to the flange-range to DIN 32676.
Please note the flange dimensions in the sketch.



Nom. Size	A (mm)	max. Test Pressure in bar	TÜV-Approval* for PN	max accepted Working temp.	Weight (g)	Item-No.
DN 250	288	80	16	150° C	4860	105302
DN 300	340	60	12	100° C	5460	105502
DN 300	340	50	10	150° C	5460	105502

Notes !

These V-Clamps are not conform to the flange-range to DIN 32676.
Please note the flange dimensions in the sketch as above.

After maximum high pressure loading and release the torque of the nuts needs to be checked to confirm correct torque values.

* TÜV-Report- No. W4834W028450 TÜV NORD

AC-Clamp Type S with Wing-Nut

suitable for ferrules DIN 32676, ISO 2852, EN ISO 1127, BS 4825 and Non-standard



For flange Ø in mm	Tube Sizes / Nom. Sizes			Max Working Pressure @ 150° C (bar)	weight (g)	Item-No.
	DIN 32676 sched. A	DIN 32676 sched. B (ISO 1127)	DIN 32676 sched. C (ISO 2852)			
25,0	06-08	08-10	1/4"-3/4"	15	130	103000
34,0	10-15-20			15	170	103100
50,5	25-32-40	15-20-25	1"-1 1/2"	15	210	103200
64,0	50	32-40	2"	15	250	103300
77,5		50	2 1/2"	15	350	103400
91,0	65	65	3"	10	420	103500
106,0	80	80	3 1/2"	10	440	103600
119,0	100		4"	10	510	103700
130,0		100	4 1/2"	5	600	103750
167,0			6"	3	880	103770

AC-Clamp Type S with Hex-Nut

suitable for ferrules DIN 32676, ISO 2852, EN ISO 1127, BS 4825 and Non-standard



For flange Ø in mm	Tube Sizes / Nom. Sizes			Max Working Pressure @ 150° C (bar)	weight (g)	Item-No.
	DIN 32676 sched. A	DIN 32676 sched. B (ISO 1127)	DIN 32676 sched. C (ISO 2852)			
25,0	06-08	08-10	1/4"-3/4"	15	130	103010
34,0	10-15-20			15	170	103110
50,5	25-32-40	15-20-25	1"-1 1/2"	15	210	103210
64,0	50	32-40	2"	15	250	103310
77,5		50	2 1/2"	15	350	103410
91,0	65	65	3"	10	420	103510
106,0	80	80	3 1/2"	10	440	103610
119,0	100		4"	10	510	103710
130,0		100	4 1/2"	5	600	103760
167,0			6"	3	880	103775

AC-Clamp Type SP with Wing-Nut

suitable for ferrules DIN 32676, ISO 2852, EN ISO 1127, BS 4825 and Non-standard



For flange Ø in mm	Tube Sizes / Nom. Sizes			Max Working Pressure @ 150° C (bar)	weight (g)	Item-No.
	DIN 32676 sched. A	DIN 32676 sched. B (ISO 1127)	DIN 32676 sched. C (ISO 2852)			
50,5	25-32-40	15-20-25	1"-1½"	7	130	107000
64,0	50	32-40	2"	7	150	107100
77,5		50	2½"	6	160	107200
91,0	65	65	3"	6	180	107300
106,0	80	80	3½"	6	200	107400
119,0	100		4"	6	220	107500



AC-Clamp Type SPX with Hexnut

suitable for ferrules DIN 32676, ISO 2852, EN ISO 1127, BS 4825 and Non-standard



For flange Ø in mm	Tube Sizes / Nom. Sizes			Max Working Pressure @ 150° C (bar)	weight (g)	Item-No.
	DIN 32676 sched. A	DIN 32676 sched. B (ISO 1127)	DIN 32676 sched. C (ISO 2852)			
50,5	1"-1½"	15-20-25	25-32-40	7	130	107010
64,0	2"	32-40	50	7	150	107110
77,5	2½"	50		6	160	107210
91,0	3"	65	65	6	180	107310
106,0	3½"	80	80	6	200	107410
119,0	4"		100	6	220	107510



AC-Clamp Type ST with P-Nut

suitable for ferrules DIN 32676, ISO 2852, EN ISO 1127, BS 4825 and Non-standard



For flange Ø in mm	Tube Sizes / Nom. Sizes			Max Working Pressure @ 150° C (bar)	weight (g)	Item-No.
	DIN 32676 sched. C / ISO 2852	DIN 32676 sched. B / ISO 1127	DIN 32676 sched. A			
50,5	25-32-40	15-20-25	1"-1½"	15	370	109000
64,0	50	32-40	2"	15	420	109050
77,5		50	2½"	15	490	109100
91,0	65	65	3"	10	620	109150
119,0	100		4"	10	750	109200



TEC-Clamp Type SX with Hexnut

suitable for ferrules DIN 32676, ISO 2852, EN ISO 1127, BS 4825 and Non-standard



For flange Ø in mm	Tube Sizes / Nom. Sizes			weight (g)	Item-No.
	DIN 32676 sched. C / ISO 2852	DIN 32676 sched. B / ISO 1127	DIN 32676 sched. A		
155,0	125	125	5½"	680	106000
167,0			6"	710	106100
183,0	150	150	6⅝"	745	106200
217,4			8"	750	106300
233,5	200	200	8⅝"	775	106400
268,0			10"	880	106500
286,1		250	10"s.5	890	106600
319,0	300		12"	930	106700
338,0		300	12"s.5	1010	106710



TEC-Clamp Type L13 with Toggle Lever

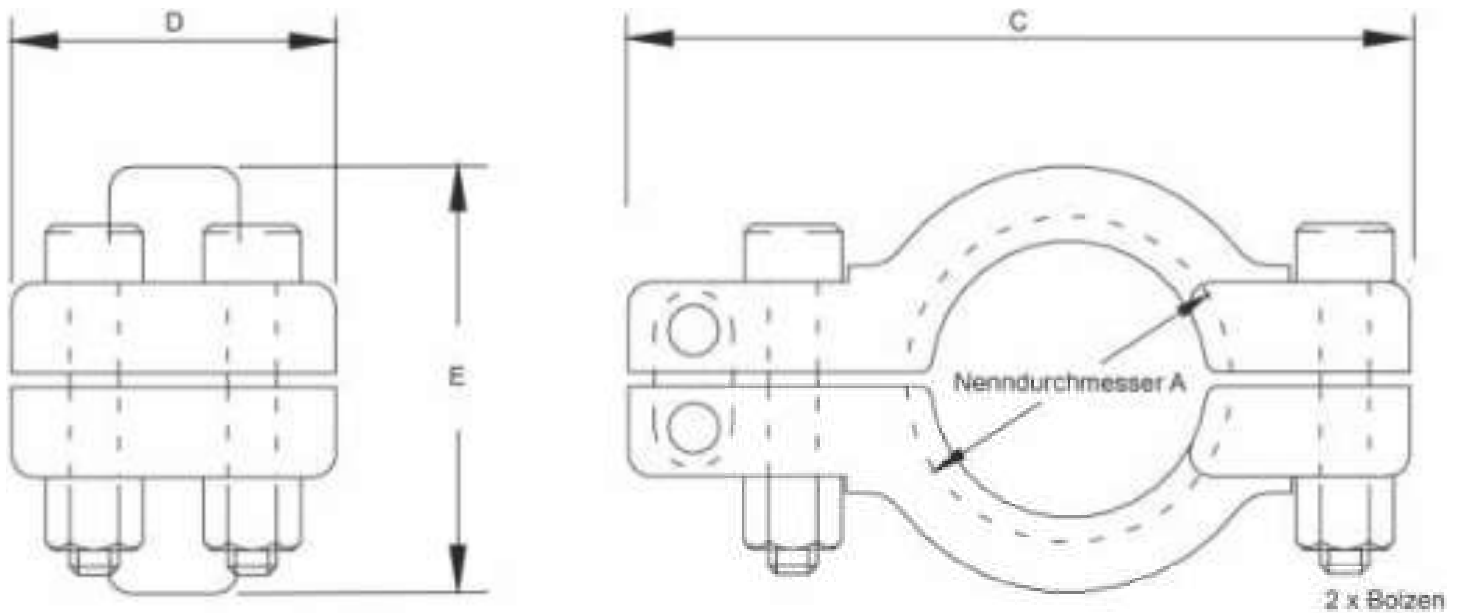
suitable for ferrules DIN 32676, ISO 2852, EN ISO 1127, BS 4825 and Non-standard



For flange Ø in mm	Tube Sizes / Nom. Sizes			weight (g)	Item-No.
	DIN 32676 sched. A	DIN 32676 sched. B (ISO 1127)	DIN 32676 sched. C (ISO 2852)		
106,0	80	80	3½"	465	201384
119,0	100		4"	495	201385
130,0		100	4½"	529	201386
155,0	125	125	5½"	561	200961
167,0			6"	592	200959
183,0	150	150	6⅝"	639	200137
217,4			8"	727	200129
233,5	200	200	8⅝"	748	200017
268,0	250		10"	882	201054
286,1		250	10"s.5	928	201057
319,0	300		12"	976	200333
338,0		300	12"s.5	1045	201189

AC-Clamp Type ASME VIII

suitable for ferrules DIN 32676, ISO 2852, EN ISO 1127, BS 4825 and Non-standard



For flange Ø in mm	Tube Sizes / Nom. Sizes			Max Working Pressure @ 100° C (bar)	weight (g)	Item-No.
	DIN 32676 sched. A	DIN 32676 sched. B (ISO 1127)	DIN 32676 sched. C (ISO 2852)			
50,5	25-32-40	15-20-25	1"-1½"		1800	110000
64,0	50	32-40	2"	80	1960	110050
91,0	65	65	3"		3200	110150
119,0	100		4"	50	3680	110250
167,0			6"	27	4700	110400
183,0	150	150	6⅝"	22,5	4980	110500
217,4			8"	16	5450	110600
268,0			10"	10	6300	110700
319,0			12"	7	7020	110800



AC-Clamp NY (Nylon Glass Reinforced)

suitable for ferrules DIN 32676, ISO 2852, EN ISO 1127, BS 4825 and Non-standard



For flange Ø in mm	Tube Sizes / Nom. Sizes			weight (g)	Item-No.
	DIN 32676 sched. A	DIN 32676 sched. B (ISO 1127)	DIN 32676 sched. C (ISO 2852)		
25,0	06-08	08-10	1/4"-3/4"	24	111000
50,5	25-32-40	15-20-25	1"-1 1/2"	59	111100
64,0	50	32-40	2"	66	111150
77,5		50	2 1/2"	76	111200
91,0	65	65	3"	83	111250
119,0	100		4"	105	111350
167,0			6"	262	111550
217,4			8"	335	111650

About the clamp:

The Pharma-Clamp® is made from glass filled nylon. This material is extremely strong and is stable during heat exposure and mechanical load. Traditional non metallic clamps for single use systems (SUS) are executed with a wing-nut. Operators who are putting Single Use Systems together often complain about the number of wing nuts they have to assemble. It is time consuming and can lead to repetitive strain injury (RSI).

Our Pharma-Clamp® is easy to use because there is only one way to close it, no adjustments possible. Because of this over-compression and destruction of the gasket is prevented. The Pharma-Clamp® cannot be installed incorrectly, when closed it can take 10 bars pressure without any problem.

A locking device prevents unwanted opening of the clamp. A tie-wrap or some other device can be installed.

Material:

ULTRAMID® (BASF) Glass filled Nylon 66, Compound number CMD-1057
Temperature range -20°C to 150°C
Color: White
Maximum Gamma Irradiation 50kGy

Pharma-Clamp® Compliance:

Meets: EC 10/2011
Meets: FDA
Certified TSE/BSE (ADIF) free (EME/410/01)

Available sizes:

The Pharma-Clamp® is at the moment available for Tri-Clamp flange sizes 25 mm, 50.5 mm, 64 mm and 119 mm.

Pharma-Clamp® is a registered trademark of Ultrapharma BV.





EPDM Clamp-Gaskets





EPDM Clamp-Gaskets

Material Characteristics:

- Ethylene-Propylene-Dien-Monomer rubber
- good ageing- weather- UV- and ozone resistance
- EPDM is resistant to swelling in hot water, Steam, acids and bases; it tends to swell in mineral oil, fat and petrol
- Not resistant to mineraloil products
- Generally conform to FDA and USP CLASS VI
- Certificates are available f.o.c
- Temperature range: -30°C to 140°C



EPDM Clamp-Gaskets

DIN 32676

DIN 32676		sched. A		Item-No.
Nom.-Size	C mm	A mm		
DN 06	22,0	≥ 6,2		499900
DN 08	22,0	≥ 8,2		499950
DN 10	34,0	≥ 10,2		500000
DN 10	50,5	≥ 10,2		500020
DN 15	34,0	≥ 16,2		500050
DN 15	50,5	≥ 16,2		500070
DN 20	34,0	≥ 20,2		500100
DN 20	50,5	≥ 20,2		500120
DN 25	50,5	≥ 26,2		500150
DN 32	50,5	≥ 32,2		500200
DN 40	50,5	≥ 38,2		500250
DN 50	64,0	≥ 50,2		500300
DN 65	91,0	≥ 66,2		500350
DN 80	106,0	≥ 81,2		500400
DN 100	119,0	≥ 100,2		500450
DN 125	155,0	≥ 125,2		500500
DN 150	183,0	≥ 150,2		500550
DN 200	233,5	≥ 200,2		500600
DN 250 (10")	268,0	≥ 250,2		510835
DN 300 (12")	319,0	≥ 300,2		510900

DIN 32676		sched. B		Item-No.
Nom.-Size	C mm	A mm		
10,2	22,0	≥ 7,2		512950
13,5	22,0	≥ 10,5		513000
17,2	22,0	≥ 14,2		513050
21,3	50,5	≥ 18,3		513100
26,9	50,5	≥ 23,9		513160
33,7	50,5	≥ 29,9		513200
42,4	64,0	≥ 38,6		513250
48,3	64,0	≥ 44,5		513300
60,3	77,5	≥ 56,5		513350
76,1	91,0	≥ 72,3		513400
88,9	106,0	≥ 84,5		513450
114,3	130,0	≥ 109,9		513500
139,7	155,0	≥ 134,7		513550
168,3	183,0	≥ 163,3		510650
219,1	233,5	≥ 214,1		510750

DIN 32676		sched. C		Item-No.
Nom.-Size	C mm	A mm		
1/4"	22,0	≥ 4,8		509990
3/8"	22,0	≥ 8,0		509995
1/2"	22,0	≥ 9,6		510000
3/4"	22,0	≥ 16,0		510050
1"	50,5	≥ 22,3		510100
1½"	50,5	≥ 35,0		510150
2"	64,0	≥ 47,7		510200
2½"	77,5	≥ 60,4		510250
3"	91,0	≥ 73,1		510300
4"	119,0	≥ 97,6		510400
6"	167,0	≥ 147,1		510601

EPDM Clamp-Gaskets

Other Sizes

Special Size ISO 1127			Item-No.
Nom.-Size	C mm	A mm	
13,5	34,0*	≥ 10,5	513001
13,5	50,5*	≥ 10,5	513002
17,2	25,0*	≥ 14,2	515050
17,2	34,0*	≥ 14,2	513051
17,2	50,5*	≥ 14,2	513052
21,3	34,0*	≥ 18,3	513101
26,9	50,5	≥ 23,1	513150
33,7	50,5	≥ 30,7	513203
42,4	50,5*	≥ 38,6	513252
273,0	286,1	≥ 268,0	513700
323,9	338,0	≥ 318,9	513750

*abweichend von DN Reihe B

* deviant to DN sched. B

Special Size			Item-No.
Nom.-Size	C mm	A mm	
3 ½"	106,0	≥ 85,1	510350
5"	144,4	≥ 125,2	510500
6"metr	167,0	≥ 150,2	510600
8"metr	217,4	≥ 200,2	510700
8" US	217,4	≥ 198,0	510720
10"metr (DN 250)	268,0	≥ 250,2	510800
10" US	268,0	≥ 247,4	510835
10"s.5	286,1	≥ 268,0	510850
12" (DN 300)	319,0	≥ 300,2	510900
12"s.5	338,0	≥ 316,1	510950

Mini Series			Item-No.
Nom.-Size	C mm	A mm	
DN 06	22,0	≥ 4,2	513800
DN 08	22,0	≥ 6,2	499900
DN 10	22,0	≥ 8,2	499950
DN 12	22,0	≥ 10,2	513950
DN 14	22,0	≥ 12,2	514000
DN 16	22,0	≥ 14,2	513050
DN 18	22,0	≥ 16,2	514100

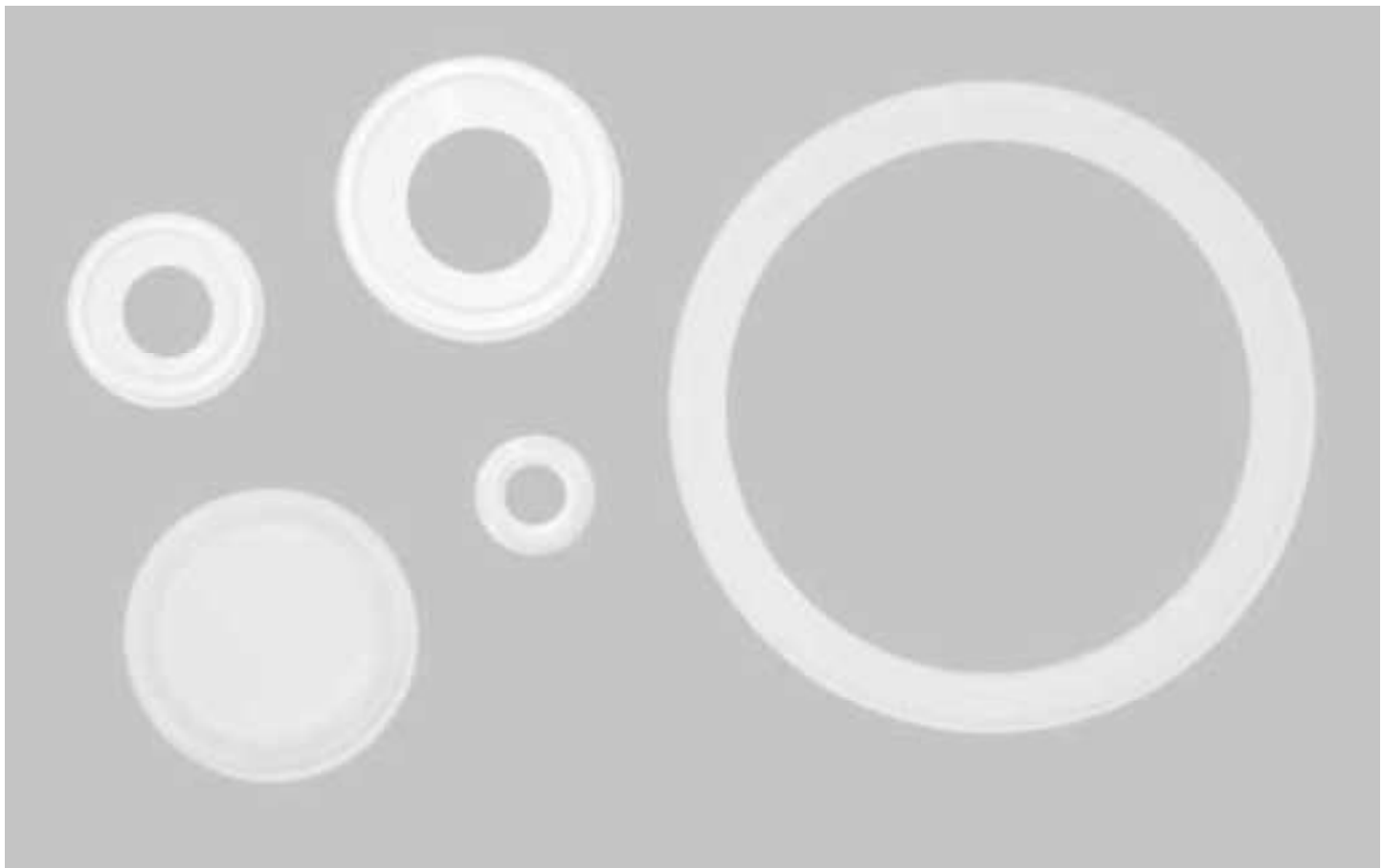
Blind Gasket			Item-No.
Nom.-Size	C mm	A mm	
22,0	22,0		518090
34,0	34,0		518095
50,5	50,5		519000
64,0	64,0		519001
77,5	77,5		519002
91,0	91,0		519003
106,0	106,0		519004
119,0	119,0		519006
130,0	130,0		519007



SILICONE Clamp-Gaskets

Material Characteristics:

- Silicone
- taste- and flavour free, physiological and toxical nonhazardous
- ideal for Food-, pharma, cosmetic and medicine-technology
- Generally conform to FDA.
- Available in USP VI quality for several sizes.
- Certificates are available f.o.c
- Temperature range: -40°C to 200°C



SILICONE TRANSLUCENT Clamp-Gaskets

DIN 32676 - Execution: Peroxide cured

DIN 32676		sched. A		Item-No.
Nom.-Size	C mm	A mm		
DN 06	22,0	≥ 6,2		501900
DN 08	22,0	≥ 8,2		501950
DN 10	34,0	≥ 10,2		502003
DN 15	34,0	≥ 16,2		502053
DN 20	34,0	≥ 20,2		502103
DN 25	50,5	≥ 26,2		502153
DN 32	50,5	≥ 32,2		502203
DN 40	50,5	≥ 38,2		502253
DN 50	64,0	≥ 50,2		502303
DN 65	91,0	≥ 66,2		502353
DN 80	106,0	≥ 81,2		502403
DN 100	119,0	≥ 100,2		502453
DN 125	155,0	≥ 125,2		502500
DN 150	183,0	≥ 150,2		502550
DN 200	233,5	≥ 200,2		502600
DN 250 (10")	268,0	≥ 250,2		508810
DN 300 (12")	319,0	≥ 300,2		508905

DIN 32676		sched. B		Item-No.
Nom.-Size	C mm	A mm		
13,5	22,0	≥ 10,5		515010
17,2	22,0	≥ 14,2		515050
21,3	50,5	≥ 18,3		515100
26,9	50,5	≥ 23,9		515149
33,7	50,5	≥ 29,9		515205
42,4	64,0	≥ 38,6		515250
48,3	64,0	≥ 44,5		515310
60,3	77,5	≥ 56,5		515350
76,1	91,0	≥ 72,3		515400
88,9	106,0	≥ 84,5		515460
114,3	130,0	≥ 109,9		515510
139,7	155,0	≥ 134,7		515555
168,3	183,0	≥ 163,3		508652
219,1	233,5	≥ 214,1		508750

DIN 32676		sched. C		Item-No.
Nom.-Size	C mm	A mm		
1/4"	22,0	≥ 4,8		507991
3/8"	22,0	≥ 8,0		507995
1/2"	22,0	≥ 9,6		508010
3/4"	22,0	≥ 16,0		508060
1"	50,5	≥ 22,3		508103
1½"	50,5	≥ 35,0		508151
2"	64,0	≥ 47,7		508202
2½"	77,5	≥ 60,4		508252
3"	91,0	≥ 73,1		508303
4"	119,0	≥ 97,6		508402
6"	167,0	≥ 147,1		508622

SILICONE TRANSLUCENT Clamp-Gaskets

Other Sizes - Execution: Peroxide cured

Special Size ISO 1127			Item-No.
Nom.- Size	C mm	A mm	
13,5	34,0*	≥ 10,5	515011
13,5	50,5*	≥ 10,5	515004
17,2	34,0*	≥ 14,2	515065
17,2	50,5*	≥ 14,2	515054
21,3	34,0*	≥ 18,3	515115
42,4	50,5*	≥ 38,6	515260
329,9	338,0	≥ 318,9	515750

*abweichend von DN Reihe B

* deviant to DN sched. B

Special Size			Item-No.
Nom.- Size	C mm	A mm	
3 ½"	106,0	≥ 85,1	508352
6"metr	167,0	≥ 150,2	508610
8"metr	217,4	≥ 200,2	508705
8" US	217,4	≥ 198,0	508720
10"metr (DN 250)	268,0	≥ 250,2	508810
10" US	268,0	≥ 247,4	508820
10"s.5	286,1	≥ 268,0	508853
12" (DN 300)	319,0	≥ 300,2	508905
12" (US)	319,0	≥ 298,0	508920
12"s.5	338,0	≥ 316,1	508950

Mini Series			Item-No.
Nom.- Size	C mm	A mm	
DN 06	22,0	≥ 4,2	516005
DN 08	22,0	≥ 6,2	501900
DN 10	22,0	≥ 8,2	501950
DN 12	22,0	≥ 10,2	516035
DN 14	22,0	≥ 12,2	516040
DN 16	22,0	≥ 14,2	515050
DN 18	22,0	≥ 16,2	516047

Blind Gasket		Item-No.
Nom.- Size	C mm	
22,0	22,0	515880
34,0	34,0	515890
50,5	50,5	515900
64,0	64,0	515910
77,5	77,5	515920
91,0	91,0	515930
106,0	106,0	515940
119,0	119,0	515950
130,0	130,0	515960

SILICONE TRANSLUCENT Clamp-Gaskets

DIN 32676 - Execution: Platinum cured

DIN 32676		sched. A		Item-No.
Nom.-Size	C mm	A mm		
DN 06	22,0	≥ 6,2	501905	
DN 08	22,0	≥ 8,2	501955	
DN 10	34,0	≥ 10,2	502005	
DN 15	34,0	≥ 16,2	502055	
DN 20	34,0	≥ 20,2	502105	
DN 25	50,5	≥ 26,2	502155	
DN 32	50,5	≥ 32,2	502205	
DN 40	50,5	≥ 38,2	502255	
DN 50	64,0	≥ 50,2	502305	
DN 65	91,0	≥ 66,2	502355	
DN 80	106,0	≥ 81,2	502405	
DN 100	119,0	≥ 100,2	502455	
DN 125	155,0	≥ 125,2	502505	
DN 150	183,0	≥ 150,2	502555	
DN 200	233,5	≥ 200,2	502605	
DN 250 (10")	268,0	≥ 250,2	auf Anfrage on request	
DN 300 (12")	319,0	≥ 300,2	auf Anfrage on request	

DIN 32676		sched. B		Item-No.
Nom.-Size	C mm	A mm		
13,5	22,0	≥ 10,5	auf Anfrage on request	
17,2	22,0	≥ 14,2	auf Anfrage on request	
21,3	50,5	≥ 18,3	515105	
26,9	50,5	≥ 23,9	515155	
33,7	50,5	≥ 29,9	515210	
42,4	64,0	≥ 38,6	515255	
48,3	64,0	≥ 44,5	515305	
60,3	77,5	≥ 56,5	515355	
76,1	91,0	≥ 72,3	515405	
88,9	106,0	≥ 84,5	515465	
114,3	130,0	≥ 109,9	515515	
139,7	155,0	≥ 134,7	515565	
168,3	183,0	≥ 163,3	508655	
219,1	233,5	≥ 214,1	508755	

DIN 32676		sched. C		Item-No.
Nom.-Size	C mm	A mm		
1/4"	22,0	≥ 4,8	auf Anfrage on request	
3/8"	22,0	≥ 8,0	auf Anfrage on request	
1/2"	22,0	≥ 9,6	508015	
3/4"	22,0	≥ 16,0	508065	
1"	50,5	≥ 22,3	508105	
1½"	50,5	≥ 35,0	508155	
2"	64,0	≥ 47,7	508205	
2½"	77,5	≥ 60,4	508255	
3"	91,0	≥ 73,1	508305	
4"	119,0	≥ 97,6	508405	
6"	167,0	≥ 147,1	508625	

SILICONE TRANSLUCENT Clamp-Gaskets

Other Sizes - Execution: Platinum cured

Special Size ISO 1127			Item-No.
Nom.-Size	C mm	A mm	
13,5	34,0*	≥ 10,5	auf Anfrage on request
13,5	50,5*	≥ 10,5	auf Anfrage on request
17,2	34,0*	≥ 14,2	auf Anfrage on request
17,2	50,5*	≥ 14,2	auf Anfrage on request
21,3	34,0*	≥ 18,3	515125
42,4	50,5*	≥ 38,6	auf Anfrage on request
323,9	338,0	≥ 318,9	auf Anfrage on request

*abweichend von DN Reihe B

* deviant to DN sched. B

Special Size			Item-No.
Nom.-Size	C mm	A mm	
3 ½"	106,0	≥ 85,1	auf Anfrage on request
6"metr	167,0	≥ 150,2	auf Anfrage on request
8"metr	217,4	≥ 200,2	auf Anfrage on request
8" US	217,4	≥ 198,0	auf Anfrage on request
10"metr (DN 250)	268,0	≥ 250,2	auf Anfrage on request
10" US	268,0	≥ 247,4	auf Anfrage on request
10"s.5	286,1	≥ 268,0	auf Anfrage on request
12" (DN 300)	319,0	≥ 300,2	auf Anfrage on request
12" (US)	319,0	≥ 298,0	auf Anfrage on request

Mini Series			Item-No.
Nom.-Size	C mm	A mm	
DN 06	22,0	≥ 4,2	auf Anfrage on request
DN 08	22,0	≥ 6,2	501905
DN 10	22,0	≥ 8,2	501955
DN 12	22,0	≥ 10,2	auf Anfrage on request
DN 14	22,0	≥ 12,2	auf Anfrage on request
DN 16	22,0	≥ 14,2	auf Anfrage on request
DN 18	22,0	≥ 16,0	508065

SILICONE RED Clamp-Gaskets

DIN 32676 - Execution: Peroxide cured

DIN 32676		sched. A		Item-No.
Nom.-Size	C mm	A mm		
DN 06	22,0	≥ 6,2		501901
DN 08	22,0	≥ 8,2		501951
DN 10	34,0	≥ 10,2		502001
DN 15	34,0	≥ 16,2		502051
DN 20	34,0	≥ 20,2		502101
DN 25	50,5	≥ 26,2		502151
DN 32	50,5	≥ 32,2		502201
DN 40	50,5	≥ 38,2		502251
DN 50	64,0	≥ 50,2		502301
DN 65	91,0	≥ 66,2		502351
DN 80	106,0	≥ 81,2		502401
DN 100	119,0	≥ 100,2		502451
DN 125	155,0	≥ 125,2		502501
DN 150	183,0	≥ 150,2		502551
DN 200	233,5	≥ 200,2		502601
DN 250 (10")	268,0	≥ 250,2		auf Anfrage on request
DN 300 (12")	319,0	≥ 300,2		auf Anfrage on request

DIN 32676		sched. B		Item-No.
Nom.-Size	C mm	A mm		
13,5	22,0	≥ 10,5		auf Anfrage on request
17,2	22,0	≥ 14,2		auf Anfrage on request
21,3	50,5	≥ 18,3		508101
26,9	50,5	≥ 23,9		515153
33,7	50,5	≥ 29,9		515201
42,4	64,0	≥ 38,6		515251
48,3	64,0	≥ 44,5		515301
60,3	77,5	≥ 56,5		515351
76,1	91,0	≥ 72,3		515401
88,9	106,0	≥ 84,5		515451
114,3	130,0	≥ 109,9		515501
139,7	155,0	≥ 134,7		515551
168,3	183,0	≥ 163,3		508651
219,1	233,5	≥ 214,1		508751

DIN 32676		sched. C		Item-No.
Nom.-Size	C mm	A mm		
1/4"	22,0	≥ 4,8		auf Anfrage on request
3/8"	22,0	≥ 8,0		auf Anfrage on request
1/2"	22,0	≥ 9,6		508001
3/4"	22,0	≥ 16,0		508051
1"	50,5	≥ 22,3		508101
1½"	50,5	≥ 35,0		508160
2"	64,0	≥ 47,7		508201
2½"	77,5	≥ 60,4		508251
3"	91,0	≥ 73,1		508301
4"	119,0	≥ 97,6		508401
6"	167,0	≥ 147,1		508621

SILICONE RED Clamp-Gaskets

Other Sizes - Execution: Peroxide cured

Special Size ISO 1127			Item-No.
Nom.-Size	C mm	A mm	
13,5	34,0*	≥ 10,5	auf Anfrage on request
13,5	50,5*	≥ 10,5	502011
17,2	34,0*	≥ 14,2	auf Anfrage on request
17,2	50,5*	≥ 14,2	auf Anfrage on request
21,3	34,0*	≥ 18,3	515116
42,4	50,5*	≥ 38,6	auf Anfrage on request
323,9	338,0	≥ 318,9	auf Anfrage on request

*abweichend von DN Reihe B

* deviant to DN sched. B

Special Size			Item-No.
Nom.-Size	C mm	A mm	
3 ½"	106,0	≥ 85,1	auf Anfrage on request
6"metr	167,0	≥ 150,2	auf Anfrage on request
8"metr	217,4	≥ 200,2	auf Anfrage on request
8" US	217,4	≥ 198,0	auf Anfrage on request
10"metr (DN 250)	268,0	≥ 250,2	auf Anfrage on request
10" US	268,0	≥ 247,4	auf Anfrage on request
10"s.5	286,1	≥ 268,0	auf Anfrage on request
12" (DN 300)	319,0	≥ 300,2	auf Anfrage on request
12" (US)	319,0	≥ 298,0	auf Anfrage on request

Mini Series			Item-No.
Nom.-Size	C mm	A mm	
DN 06	22,0	≥ 4,2	auf Anfrage on request
DN 08	22,0	≥ 6,2	501901
DN 10	22,0	≥ 8,2	501951
DN 12	22,0	≥ 10,2	auf Anfrage on request
DN 14	22,0	≥ 12,2	auf Anfrage on request
DN 16	22,0	≥ 14,2	auf Anfrage on request
DN 18	22,0	≥ 16,2	auf Anfrage on request

SILICONE WHITE Clamp-Gaskets

DIN 32676 - Execution: Peroxide cured

DIN 32676		sched. A		Item-No.
Nom.-Size	C mm	A mm		
DN 10	34,0	≥ 10,2		502000
DN 15	34,0	≥ 16,2		502050
DN 20	34,0	≥ 20,2		502100
DN 25	50,5	≥ 26,2		502150
DN 32	50,5	≥ 32,2		502200
DN 40	50,5	≥ 38,2		502250
DN 50	64,0	≥ 50,2		502300
DN 65	91,0	≥ 66,2		502350
DN 80	106,0	≥ 81,2		502400
DN 100	119,0	≥ 100,2		502450
DN 250 (10")	268,0	≥ 250,2		508800
DN 300 (12")	319,0	≥ 300,2		508900

DIN 32676		sched. B		Item-No.
Nom.-Size	C mm	A mm		
13,5	22,0	≥ 10,5		515000
26,9	50,5	≥ 23,9		515160
33,7	50,5	≥ 29,9		515200
76,1	91,0	≥ 72,3		515402
88,9	106,0	≥ 84,5		515450
114,3	130,0	≥ 109,9		515500
139,7	155,0	≥ 134,7		515550
168,3	183,0	≥ 163,3		508650
219,1	233,5	≥ 214,1		508753

DIN 32676		sched. C		Item-No.
Nom.-Size	C mm	A mm		
1/2"	22,0	≥ 9,6		508000
3/4"	22,0	≥ 16,0		508050
1"	50,5	≥ 22,3		508100
1½"	50,5	≥ 35,0		508150
2"	64,0	≥ 47,7		508200
2½"	77,5	≥ 60,4		508250
3"	91,0	≥ 73,1		508300
4"	119,0	≥ 97,6		508400
6"	167,0	≥ 147,1		508620

SILICONE WHITE Clamp-Gaskets

Other Sizes - Execution: Peroxide cured

Special Size ISO 1127			Item-No.
Nom.- Size	C mm	A mm	
13,5	34,0*	≥ 10,5	515001
26,9	50,5	≥ 23,1*	515160
42,4	50,5*	≥ 38,6	515252
273,0	286,1	≥ 268,0	515700

*abweichend von DN Reihe B

* deviant to DN sched. B

Special Size			Item-No.
Nom.- Size	C mm	A mm	
3 ½"	106,0	≥ 85,1	508350
5"	144,4	≥ 123,2	508500
6"	167,0	≥ 150,2	508600
8"	217,4	≥ 200,2	508700
10" (DN 250)	268,0	≥ 250,2	508800
10" US	268,0	≥ 247,4	508820
10"s.5	286,1	≥ 268,0	508850
12" (DN 300)	319,0	≥ 300,2	508900

Mini Series			Item-No.
Nom.- Size	C mm	A mm	
DN 12	22,0	≥ 10,2	516030
DN 18	22,0	≥ 16,2	516044

NBR Clamp-Gaskets

Material Characteristics:

- NBR
- very good resistance to Mineral Oil, Organic Oils and fats, Petrol Butan, Propan, Methan, Ethan and Hot Water
- Abrasion proof
- Low electrostatic charging
- Generally conform to FDA.
- Certificates are available f.o.c
- Temperature range: -20°C to 70°C (fluid) 90°C (gas)



NBR Clamp-Gaskets

DIN 32676

DIN 32676		sched. A		Item-No.
Nom.-Size	C mm	A mm		
DN 10	34,0	≥ 10,2	505000	
DN 15	34,0	≥ 16,2	505050	
DN 20	34,0	≥ 20,2	505100	
DN 25	50,5	≥ 26,2	505150	
DN 32	50,5	≥ 32,2	505200	
DN 40	50,5	≥ 38,2	505250	
DN 50	64,0	≥ 50,2	505300	
DN 65	91,0	≥ 66,2	505350	
DN 80	106,0	≥ 81,2	505400	
DN 100	119,0	≥ 100,2	505450	
DN 125	155,0	≥ 125,2	505500	
DN 150	183,0	≥ 150,2	505550	
DN 200	233,5	≥ 200,2	505600	
DN 250 (10")	268,0	≥ 200,2	506850	

DIN 32676		sched. B		Item-No.
Nom.-Size	C mm	A mm		
26,9	50,5	≥ 23,9	525150	
33,7	50,5	≥ 29,9	525200	
42,4	50,5	≥ 38,4	525252	
48,3	64,0	≥ 44,3	525300	
60,3	77,5	≥ 56,3	525350	
76,1	91,0	≥ 72,3	525400	
88,9	106,0	≥ 84,5	525450	
139,7	155,0	≥ 134,7	525550	
168,3	183,0	≥ 163,3	506650	
219,1	233,5	≥ 214,1	506700	

DIN 32676		sched. C		Item-No.
Nom.-Size	C mm	A mm		
1/4"	22,0	≥ 4,8	506000	
3/8"	22,0	≥ 8,0	506005	
1/2"	22,0	≥ 9,6	506010	
3/4"	22,0	≥ 16,0	506050	
1"	50,5	≥ 22,3	506100	
1½"	50,5	≥ 35,0	506150	
2"	64,0	≥ 47,7	506200	
2½"	77,5	≥ 60,4	506250	
3"	91,0	≥ 73,1	506300	
4"	119,0	≥ 97,6	506400	
6"	167,0	≥ 147,1	506601	
10" (DN 250)	268,0	≥ 250,0	506850	



FKM Clamp-Gaskets

Material Characteristics:

- Fluor-Kautschuk Monomere
- Very resistant to temperature and ageing
- very good resistance to Ozone, Oxygen, Mineral Oil, Synthetic Oils, Petrol and Organic Solvents
- Generally conform to FDA.
- Available in USP VI quality for several sizes.
- Certificates are available f.o.c
- Temperature range: -20°C to 200°C



FKM Clamp-Gaskets

DIN 32676

DIN 32676		sched. A		Item-No.
Nom.-Size	C mm	A mm		
DN 06	22,0	≥ 6,2	502900	
DN 08	22,0	≥ 8,2	502950	
DN 10	34,0	≥ 10,2	503000	
DN 15	34,0	≥ 16,2	503050	
DN 20	34,0	≥ 20,2	503100	
DN 25	50,5	≥ 26,2	503150	
DN 32	50,5	≥ 32,2	503200	
DN 40	50,5	≥ 38,2	503250	
DN 50	64,0	≥ 50,2	503300	
DN 65	91,0	≥ 66,2	503350	
DN 80	106,0	≥ 81,2	503400	
DN 100	119,0	≥ 100,2	503450	
DN 125	155,0	≥ 125,2	503505	
DN 150	183,0	≥ 150,2	503555	
DN 200	233,5	≥ 200,2	503605	
DN 250 (10")	268,0	≥ 250,2	570800	
DN 300 (12")	319,0	≥ 300,2	507900	

DIN 32676		sched. B		Item-No.
Nom.-Size	C mm	A mm		
13,5	22,0	≥ 10,5	516045	
17,2	22,0	≥ 14,2	516050	
21,3	50,5	≥ 18,3	516100	
26,9	50,5	≥ 23,9	516160	
33,7	50,5	≥ 29,9	516200	
42,4	64,0	≥ 38,6	516250	
48,3	64,0	≥ 44,5	516300	
60,3	77,5	≥ 56,5	516350	
76,1	91,0	≥ 72,3	516400	
88,9	106,0	≥ 84,5	516450	
114,3	130,0	≥ 109,9	516500	
139,7	155,0	≥ 134,7	516555	
168,3	183,0	≥ 163,3	507652	
219,1	233,5	≥ 214,1	507752	

DIN 32676		sched. C		Item-No.
Nom.-Size	C mm	A mm		
1/4"	22,0	≥ 4,8	506990	
3/8"	22,0	≥ 8,0	506995	
1/2"	22,0	≥ 9,6	507000	
3/4"	22,0	≥ 16,0	507050	
1"	50,5	≥ 22,3	507100	
1½"	50,5	≥ 35,0	507150	
2"	64,0	≥ 47,7	507200	
2½"	77,5	≥ 60,4	507250	
3"	91,0	≥ 73,1	507300	
4"	119,0	≥ 97,6	507400	
6"	167,0	≥ 97,6	507620	

FKM Clamp-Gaskets

Other Sizes

Special Size ISO 1127			Item-No.
Nom.-Size	C mm	A mm	
13,5	34,0*	≥ 10,5	516046
17,2	34,0*	≥ 14,2	516051
21,3	34,0*	≥ 18,3	516101
21,3	50,5*	≥ 18,3	516100
26,9	50,5	≥ 23,1	516150
42,4	50,5*	≥ 38,6	516252

*abweichend von DN Reihe B

* deviant to DN sched. B

Special Size			Item-No.
Nom.-Size	C mm	A mm	
3 ½"	106,0	≥ 85,1	507350
5"	144,4	≥ 125,2	507500
6"metr	167,0	≥ 150,2	507600
8"metr	217,4	≥ 200,2	507700
10"metr (DN 250)	268,0	≥ 250,2	507800
10"s.5	286,1	≥ 268,0	507850
12" (DN 300)	319,0	≥ 300,2	507900
12"s.5	338,0	≥ 316,1	507950

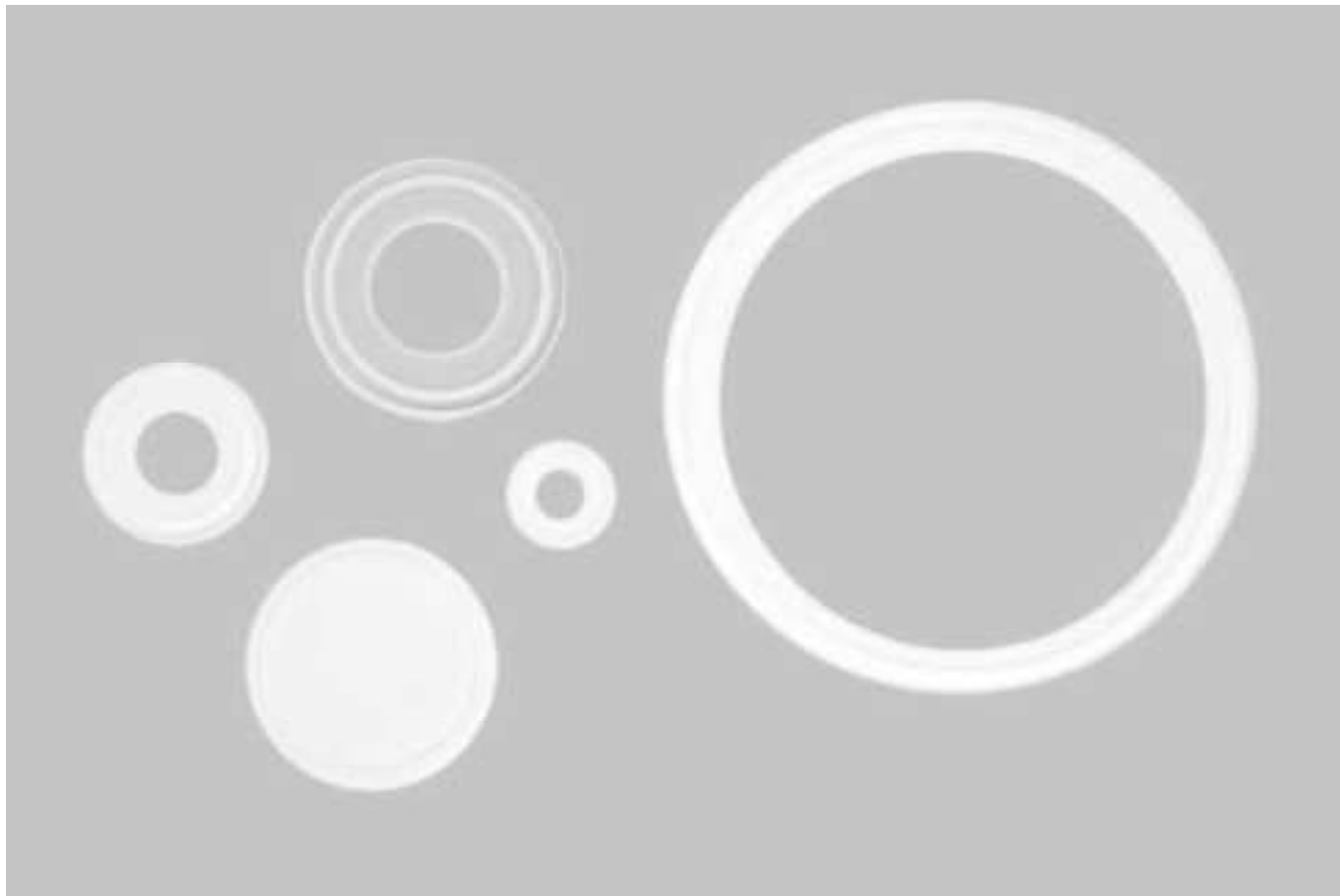
Mini Series			Item-No.
Nom.-Size	C mm	A mm	
DN 06	22,0	≥ 4,2	516800
DN 08	22,0	≥ 6,2	502900
DN 10	22,0	≥ 8,2	502950
DN 12	22,0	≥ 10,2	516860
DN 14	22,0	≥ 12,2	516880
DN 16	22,0	≥ 14,2	516050
DN 18	22,0	≥ 16,2	516920

Blind Gasket		Item-No.
Nom.-Size	C mm	
22,0	22,0	516940
34,0	34,0	516945
50,5	50,5	516950
64,0	64,0	516955
77,5	77,5	516960
91,0	91,0	516965
106,0	106,0	516970
119,0	119,0	516975
130,0	130,0	516980

PTFE Clamp-Gaskets (White)

Material Characteristics:

- Polytetrafluorethylene
- Excellent chemical resistance
- Best available non-adhesive properties
- combination with fillers minimizes the tendency to cold flow
- Generally conform to FDA and USP VI
- Certificates are available f.o.c
- Temperature range:
 - 200°C bis ca. 260°C for PTFE-solid
 - 25°C bis ca. 200°C for PTFE with FKM-filler



PTFE Clamp-Gaskets (White)



PTFE Solid Clamp-Gaskets

DIN 32676

DIN 32676		sched. A		Item-No.
Nom.-Size	C mm	A mm		
DN 06	22,0	≥ 6,0	500900	
DN 08	22,0	≥ 8,0	500950	
DN 10	34,0	≥ 10,0	501000	
DN 15	34,0	≥ 16,0	501050	
DN 20	34,0	≥ 20,0	501100	
DN 25	50,5	≥ 26,0	501150	
DN 32	50,5	≥ 32,0	501200	
DN 40	50,5	≥ 38,0	501250	
DN 50	64,0	≥ 50,0	501300	
DN 65	91,0	≥ 66,0	501350	
DN 80	106,0	≥ 81,0	501400	
DN 100	119,0	≥ 100,0	501450	
DN 125	155,0	≥ 125,0	501500	
DN 150	183,0	≥ 150,0	501550	
DN 200	233,5	≥ 200,0	501600	
DN 250 (10")	268,0	≥ 250,0	509800	
DN 300 (12")	319,0	≥ 250,0	509900	

DIN 32676		sched. B		Item-No.
Nom.-Size	C mm	A mm		
13,5	22,0	≥ 10,3	518000	
17,2	22,0	≥ 14,0	518050	
21,3	50,5	≥ 18,1	518160	
26,9	50,5	≥ 23,7	518160	
33,7	50,5	≥ 29,7	518200	
42,4	64,0	≥ 38,4	518250	
48,3	64,0	≥ 44,3	518300	
60,3	77,5	≥ 56,3	518350	
76,1	91,0	≥ 72,1	518400	
88,9	106,0	≥ 84,3	518450	
114,3	130,0	≥ 109,7	518500	
139,7	155,0	≥ 134,5	518550	
168,3	183,0	≥ 163,1	509650	
219,1	233,5	≥ 213,9	509750	

DIN 32676		sched. C		Item-No.
Nom.-Size	C mm	A mm		
1/4"	22,0	≥ 4,57	508990	
3/8"	22,0	≥ 7,75	508995	
1/2"	22,0	≥ 9,4	509000	
3/4"	22,0	≥ 15,75	509050	
1"	50,5	≥ 22,1	509100	
1½"	50,5	≥ 34,8	509150	
2"	64,0	≥ 47,5	509200	
2½"	77,5	≥ 60,2	509250	
3"	91,0	≥ 72,9	509300	
4"	119,0	≥ 97,38	509400	
6"	167,0	≥ 146,86	509605	

PTFE Solid Clamp-Gaskets

Other Sizes

Special Size ISO 1127			Item-No.
Nom.-Size	C mm	A mm	
13,5	34,0*	≥ 10,3	518001
13,5	50,5*	≥ 10,3	518002
17,2	34,0*	≥ 14,0	518051
17,2	50,5*	≥ 14,0	518052
21,3	34,0*	≥ 18,1	518101
42,4	50,5*	≥ 38,4	518252
273,0	286,1	≥ 267,8	518600
323,9	338,0	≥ 318,7	518750

*abweichend von DN Reihe B

* deviant to DN sched. B

Special Size			Item-No.
Nom.-Size	C mm	A mm	
3 ½"	106,0	≥ 84,9	509350
5"	144,4	≥ 123,0	509500
6"metr	167,0	≥ 150,0	509600
8"metr	217,4	≥ 200,0	509700
8" US	217,4	≥ 197,66	509705
10"metr (DN 250)	268,0	≥ 250,0	509800
10"s.5	286,1	≥ 266,3	509850
12" (DN 300)	319,0	≥ 300,0	509900
12"s.5	338,0	≥ 315,8	509950

Mini Series			Item-No.
Nom.-Size	C mm	A mm	
DN 06	22,0	≥ 4,0	526000
DN 08	22,0	≥ 6,0	500900
DN 10	22,0	≥ 8,0	500950
DN 12	22,0	≥ 10,0	526150
DN 14	22,0	≥ 12,0	526200
DN 16	22,0	≥ 14,0	518050
DN 18	22,0	≥ 16,0	526300

Blind Gasket		Item-No.
Nom.-Size	C mm	
25,0	25,0	518899
34,0	34,0	518900
50,5	50,5	518901
64,0	64,0	518902
77,5	77,5	518903
91,0	91,0	518904
106,0	106,0	518905
119,0	119,0	518906
130,0	130,0	518909

PTFE Clamp-Gaskets with FKM-Filler (enveloped)

DIN 32676

DIN 32676		sched. A		Item-No.
Nom.-Size	C mm	A mm		
DN 06	22,0	≥ 6,0		503900
DN 08	22,0	≥ 8,0		503950
DN 10	34,0	≥ 10,0		504000
DN 15	34,0	≥ 16,0		504050
DN 20	34,0	≥ 20,0		504100
DN 25	50,5	≥ 26,0		504150
DN 32	50,5	≥ 32,0		504200
DN 40	50,5	≥ 38,0		504250
DN 50	64,0	≥ 50,0		504300
DN 65	91,0	≥ 66,0		504350
DN 80	106,0	≥ 81,0		504400
DN 100	119,0	≥ 100,0		504450
DN 125	155,0	≥ 125,0		504500
DN 150	183,0	≥ 150,0		504550
DN 200	233,5	≥ 200,0		504600
DN 250 (10")	268,0	≥ 250,0		511800
DN 300 (12")	319,0	≥ 300,0		511900

DIN 32676		sched. B		Item-No.
Nom.-Size	C mm	A mm		
13,5	22,0	≥ 10,5		517000
17,2	22,0	≥ 14,2		517050
21,3	50,5	≥ 18,3		517100
26,9	50,5	≥ 23,9		517160
33,7	50,5	≥ 29,9		517200
42,4	64,0	≥ 38,6		517250
48,3	64,0	≥ 44,5		517300
60,3	77,5	≥ 56,5		517350
76,1	91,0	≥ 72,3		517400
88,9	106,0	≥ 84,5		517450
114,3	130,0	≥ 109,9		517500
139,7	155,0	≥ 134,7		517550
168,3	183,0	≥ 163,3		511650
219,1	233,5	≥ 214,1		511750

DIN 32676		sched. C		Item-No.
Nom.-Size	C mm	A mm		
1/4"	22,0	≥ 4,8		510990
3/8"	22,0	≥ 8,0		510995
1/2"	22,0	≥ 9,6		511000
3/4"	22,0	≥ 16,0		511050
1"	50,5	≥ 22,3		511100
1½"	50,5	≥ 35,0		511150
2"	64,0	≥ 47,7		511200
2½"	77,5	≥ 60,4		511250
3"	91,0	≥ 73,1		511300
4"	119,0	≥ 97,6		511400
4 1/2"	130,0	≥ 110,3		511450
6"	167,0	≥ 147,1		511610

PTFE Clamp-Gaskets with FKM-Filler (enveloped)

Other Sizes

Special Size ISO 1127			Item-No.
Nom.- Size	C mm	A mm	
13,5	34,0*	≥ 10,5	511960
13,5	50,5*	≥ 10,5	517002
17,2	34,0*	≥ 14,2	517051
21,3	34,0*	≥ 18,3	517110
26,9	50,5	≥ 22,9*	517150
33,7	50,5	≥ 30,5*	517210
42,4	50,5*	≥ 38,6	517252
273,0	286,1	≥ 268,0	517700
323,9	338,0	≥ 318,9	517750

*abweichend von DN Reihe B

* deviant to DN sched. B

Special Size			Item-No.
Nom.- Size	C mm	A mm	
3 ½"	106,0	≥ 85,1	511350
5"	144,4	≥ 125,2	511500
6"metr	167,0	≥ 150,2	511600
8"metr	217,4	≥ 200,2	511700
8" US	217,4	≥ 198,0	511701
10"metr (DN 250)	268,0	≥ 250,2	511800
10"s.5	286,1	≥ 268,0	511850
12" (DN 300)	319,0	≥ 300,2	511900
12"s.5	338,0	≥ 316,1	511950

Mini Series			Item-No.
Nom.- Size	C mm	A mm	
DN 06	22,0	≥ 4,0	521000
DN 08	22,0	≥ 6,0	503900
DN 10	22,0	≥ 8,0	503950
DN 12	22,0	≥ 10,0	521150
DN 14	22,0	≥ 12,0	521200
DN 16	22,0	≥ 14,0	517050
DN 18	22,0	≥ 16,0	521300

PTFE Clamp-Gaskets with FKM-Filler (enveloped/without Lip)

DIN 32676

DIN 32676		sched. A		Item-No.
Nom.-Size	C mm	A mm		
DN 06	22,0	≥ 6,2	503900	
DN 08	22,0	≥ 8,2	503950	
DN 10	34,0	≥ 10,2	504001	
DN 15	34,0	≥ 16,2	504051	
DN 20	34,0	≥ 20,2	504101	
DN 25	50,5	≥ 26,2	504151	
DN 32	50,5	≥ 32,2	504201	
DN 40	50,5	≥ 38,2	504251	
DN 50	64,0	≥ 50,2	504301	
DN 65	91,0	≥ 66,2	504351	
DN 80	106,0	≥ 81,2	504401	
DN 100	119,0	≥ 100,2	504451	
DN 125	155,0	≥ 125,2	504501	
DN 150	183,0	≥ 150,2	504551	
DN 200	233,5	≥ 200,2	504601	
DN 300	319,0	≥ 300,2	511901	

DIN 32676		sched. B		Item-No.
Nom.-Size	C mm	A mm		
13,5	22,0	≥ 10,5	517000	
17,2	22,0	≥ 14,2	517050	
21,3	50,5	≥ 18,3	517101	
26,9	50,5	≥ 23,9	517161	
33,7	50,5	≥ 29,9	517201	
42,4	64,0	≥ 38,6	517251	
48,3	64,0	≥ 44,5	517301	
60,3	77,5	≥ 56,5	517351	
76,1	91,0	≥ 72,3	517401	
88,9	106,0	≥ 84,5	517451	
114,3	130,0	≥ 109,9	517501	
139,7	155,0	≥ 134,7	517551	
168,3	183,0	≥ 163,3	511651	
219,1	233,5	≥ 214,1	511751	

DIN 32676		sched. C		Item-No.
Nom.-Size	C mm	A mm		
1/4"	22,0	≥ 4,8	510990	
3/8"	22,0	≥ 8,0	510995	
1/2"	22,0	≥ 9,6	511000	
3/4"	22,0	≥ 16,0	511050	
1"	50,5	≥ 22,3	511101	
1½"	50,5	≥ 35,0	511151	
2"	64,0	≥ 47,7	511201	
2½"	77,5	≥ 60,4	511251	
3"	91,0	≥ 73,1	511301	
4"	119,0	≥ 97,6	511401	
4 1/2"	130,0	≥ 110,3	511451	
6"	167,0	≥ 147,1	511611	

PTFE Clamp-Gaskets with FKM-Filler (enveloped/without Lip)

Other Sizes

Special Size ISO 1127			Item-No.
Nom.- Size	C mm	A mm	
273,0	286,1	≥ 268,0	517701
323,9	338,0	≥ 318,9	517751

*abweichend von DN Reihe B

* deviant to DN sched. B

Special Size			Item-No.
Nom.- Size	C mm	A mm	
3 ½"	106,0	≥ 85,1	511351
10" s.5	286,1	≥ 268,0	511851
12" (DN 300)	319,0	≥ 300,2	511901
12" s.5	338,0	≥ 316,1	511951

Mini Series			Item-No.
Nom.- Size	C mm	A mm	
DN 06	22,0	≥ 4,0	521000
DN 08	22,0	≥ 6,0	503900
DN 10	22,0	≥ 8,0	503950
DN 12	22,0	≥ 10,0	521150
DN 14	22,0	≥ 12,0	521200
DN 16	22,0	≥ 14,0	517050
DN 18	22,0	≥ 16,0	521300

GYLON BIO-PRO

Technical Features
- Dimensionally stable - no extrusion into the bore - no cold flow, maintains high recovery
- High temperature compatibility - all process temperatures without clamp re-tightening - no extrusion into the bore - withstands frequent thermal cycling
- Media resistant - excellent chemical compatibility - conform to FDA - meets USP Class VI

Physical Properties	
Temperature	-210 bis 260°C
Pressure	55 bar
Compressibility	22 bis 45 %
Recovery	30 %
Availability	in accordance to DIN 32676, ISO 2852, BS 4825, ISO 1127, ASME- BPE, SMS
Manufactured in Germany	

Economical Advantages
- Reduced downtime and related costs
- Works with standard- and high-pressure clamps
- One gasket for all chemicals and temperatures allows reduced inventory, less risk of replacing with an incorrect gasket specification
- Dimensional stability eliminates risk of the gasket extruding into the bore, eliminating unscheduled downtime
- maintains a gas tight seal even under vibration, misalignment and thermal cycling



GYLON BIO-PRO

DIN 32676

DIN 32676		sched. A		Item-No.
Nom.-Size	C mm	A mm		
DN 06	22,0	≥ 6,2	521900	
DN 08	22,0	≥ 8,2	521950	
DN 10	34,0	≥ 10,2	522000	
DN 15	34,0	≥ 16,2	522050	
DN 20	34,0	≥ 20,2	522100	
DN 25	50,5	≥ 26,2	522150	
DN 32	50,5	≥ 32,2	522200	
DN 40	50,5	≥ 38,2	522250	
DN 50	64,0	≥ 50,2	522300	
DN 65	91,0	≥ 66,2	522350	
DN 80	106,0	≥ 81,2	522400	
DN 100	119,0	≥ 100,2	522450	
DN 150	183,0	≥ 150,2	522550	
DN 200	233,5	≥ 200,2	522600	
DN300 (12")	319,0	≥ 200,2	523900	

DIN 32676		sched. B		Item-No.
Nom.-Size	C mm	A mm		
13,5	22,0	≥ 10,5	524020	
17,2	22,0	≥ 14,2	524030	
17,2	34,0	≥ 14,2	524035	
21,3	50,5	≥ 18,3	524100	
26,9	50,5	≥ 23,9	524150	
33,7	50,5	≥ 29,9	524200	
42,4	64,0	≥ 38,4	524250	
48,3	64,0	≥ 44,5	524270	
60,3	77,5	≥ 56,5	524300	
76,1	91,0	≥ 72,3	524350	
88,9	106,0	≥ 84,5	524400	
114,3	130,0	≥ 109,9	524500	
139,7	155,0	≥ 134,7	524600	
168,3	183,0	≥ 163,3	523650	
219,1	233,5	≥ 214,1	524700	

DIN 32676		sched. C		Item-No.
Nom.-Size	C mm	A mm		
1/2"	22,0	≥ 9,6	523000	
3/4"	22,0	≥ 16,0	523050	
1"	50,5	≥ 22,3	523100	
1½"	50,5	≥ 35,0	523150	
2"	64,0	≥ 47,7	523200	
2½"	77,5	≥ 60,4	523250	
3"	91,0	≥ 73,1	523300	
4"	119,0	≥ 97,6	523400	

Special Size			Item-No.
Nom.-Size	C mm	A mm	
6"s.5	183,0	≥ 168,3	523650
10"metr	268,0	≥ 250,2	523800
12" (DN 300)	319,0	≥ 300,2	523900

Hi-Temp Gasket up to 1000° C

Material Characteristics:

- Refined Phlogopit-Glimmer with an inlay of stainless steel mesh (316)
- typical applications: High thermal and mechanical strains, i.e. exhaust-ducts, turbos, kompressors etc.
- Low long-term leakage even at high temperatures due to the expanded metal insert
- **Not to be used with fluids and steam**
- Temperature range: up to 1000°C (gas)



Detail Flat-Gasket without Centering

Hi-Temp Gasket up to 1000° C

DIN 32676

DIN 32676		sched. A		Item-No.
Nom.-Size	C mm	A mm		
DN 10	34,0	≥ 10,2	560000	
DN 15	34,0	≥ 16,2	560010	
DN 20	34,0	≥ 20,2	560020	
DN 25	50,5	≥ 26,2	560030	
DN 32	50,5	≥ 32,2	560040	
DN 40	50,5	≥ 38,2	560050	
DN 50	64,0	≥ 50,2	560060	
DN 65	91,0	≥ 66,2	560070	
DN 80	106,0	≥ 81,2	560080	
DN 100	119,0	≥ 100,2	560090	
DN 125	155,0	≥ 125,2	560100	
DN 150	183,0	≥ 150,2	560110	
DN 200	233,5	≥ 200,2	560120	
DN 250 (10")	268,0	≥ 250,2	580160	
DN 300 (12")	319,0	≥ 300,2	580180	

DIN 32676		sched. B		Item-No.
Nom.-Size	C mm	A mm		
21,3	50,5	≥ 18,3	570030	
26,9	50,5	≥ 23,9	570040	
33,7	50,5	≥ 29,9	570050	
42,4	64,0	≥ 38,6	570060	
48,3	64,0	≥ 44,5	570070	
60,3	77,5	≥ 56,5	570080	
76,1	91,0	≥ 72,3	570090	
88,9	106,0	≥ 84,5	570100	
114,3	130,0	≥ 109,9	570110	
139,7	155,0	≥ 134,7	570120	
168,3	183,0	≥ 163,3	570130	
219,1	233,5	≥ 214,1	570140	
273,0	286,1	≥ 268,0	570150	
323,9	338,0	≥ 318,9	570160	

DIN 32676		sched. C		Item-No.
Nom.-Size	C mm	A mm		
1/2"	22,0	≥ 9,6	580010	
3/4"	22,0	≥ 16,0	580020	
1"	50,5	≥ 22,3	580040	
1½"	50,5	≥ 35,0	580050	
2"	64,0	≥ 47,7	580060	
2½"	77,5	≥ 60,4	580070	
3"	91,0	≥ 73,1	580080	
4"	119,0	≥ 97,6	580090	
6"	167,0	≥ 147,1	580120	
8"	217,4	≥ 200,0	580140	
10" (DN 250)	268,0	≥ 250,0	580160	
12" (DN 300)	319,0	≥ 300,0	580180	



Steam-Flon® Gaskets



Steam-Flon® Gaskets

Material:

Ultrapharma has developed the material "Steam-Flon®" for sanitary gaskets and some other innovative products. This material is a unique blend of non-pigmented PTFE and 316L stainless steel powder.

The mechanical properties of this compound are very interesting because it eliminates the cold flow problems we experience with, for example, virgin PTFE. Cold flow is the term we use for movement of plastic under permanent load/stress, a state that is used with static seals. Cold flow increases at elevated temperatures. Material of the gasket is slowly moving towards the inside of the fitting and creates a beat. This beat leads to flow restriction and is a potential area for particles/bacterial entrapment.

The Steam-Flon® material takes the cold flow out of the equation, creating a very stable seal with no leaks even at large temperature fluctuations.

Available for DIN32676 & ISO1127 (DIN32676 Series A, B, C). Please inquire.

Steam-Flon® Biological Compliance:

Material: PTFE/316L Compound number CMD-1019

Colour: Brownish

Temperature range -212°C to 288°C

Meets: USP Class VI-121°C

Meets: USP <661>

Meets: EC 10/2011

Meets: FDA CFR 177.1550

Application:

As the name Steam-Flon® suggests this product is the ultimate gasket to be used in steam applications.

Steam-Flon® is a registered trademark of Ultrapharma BV.



Tri-Bond® Gaskets

Material:

Elastomer gaskets are known for their superb sealing capability but are more susceptible to chemicals. PTFE is chemically inert but is a difficult material when it comes to sealing. The best characteristics of both materials are brought together in the Tri-Bond® gasket.

The thin PTFE lining on the outside is taking care of the chemical resistance of the gasket while the flexible elastomer inside covers its sealing capabilities. The combination of these features makes this the ultimate pharmaceutical gasket.

Tri-Bond® is available in the following standards:

DIN32676 Serie A type-II
DIN32676 Serie B (ISO1127) type-II
DIN32676 Serie C (ASME- BPE) type-I
SMS3017 (under development)

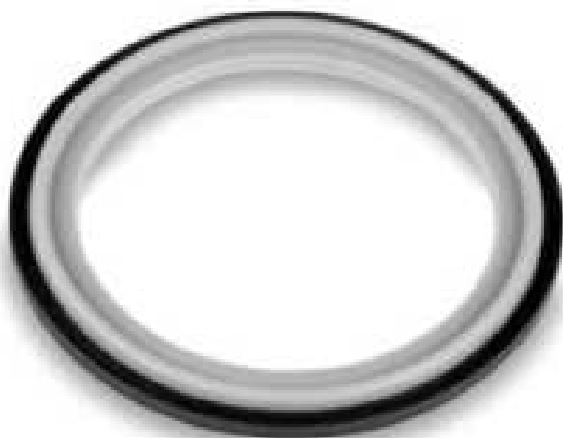
Tri-Bond® versions:

Material: PTFE/FKM Compound number CMD-1020
Temperature range -30°C to 175°C
Material: PTFE/EPDM Compound number CMD-1021
Temperature range -30°C to 150°C
Colour: White /Black

Tri-Bond® Biological Compliance:

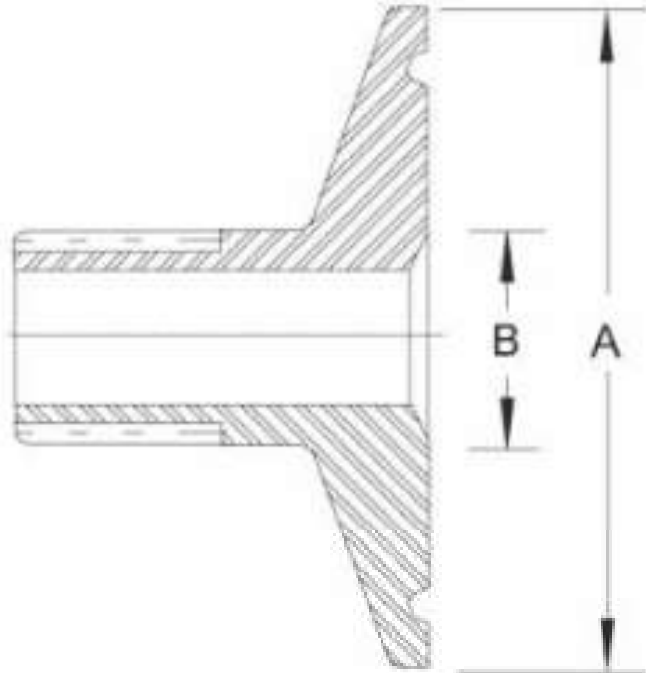
Meets: USP Class VI-121°C
Meets: USP <661>
Meets: EC 10/2011
Meets: FDA CFR 177.1550
Certified TSE/BSE free (EME/410/01)

Tri-Bond® is a registered trademark of Ultrapharma BV.



Ferrule to Threaded Adaptor, male

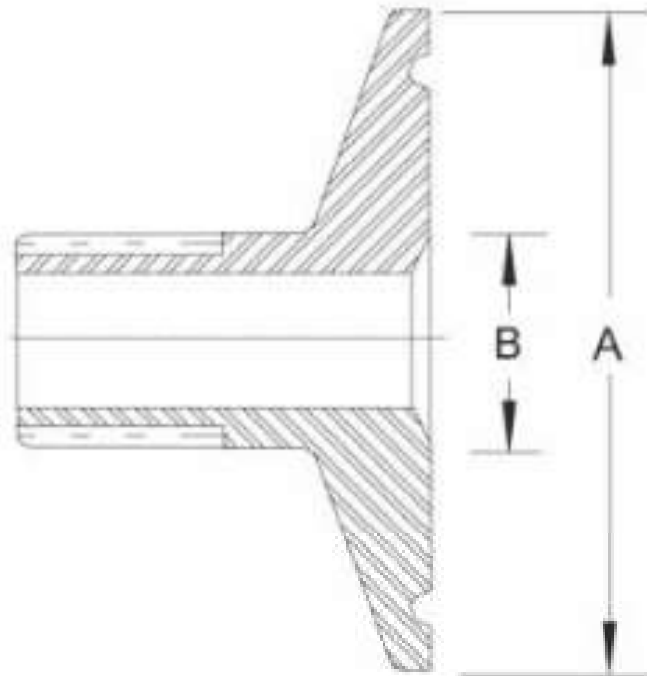
Material: AISI 316L (equiv. 1.4404), Surfaces according to Hygiene Class H3
3.1 Certificate (free of charge as download)



Nom. Size Thread - Ferrule	B mm	Flange Ø in mm A	Groove mm	Length mm	Item-No.
1/8" - 1/2"	9,5	25,0	20,2	30,0	406990
1/4" - 1/2"	9,5	25,0	20,2	30,0	407000
3/8" - 1/2"	9,5	25,0	20,2	30,0	407050
1/2" - 1/2"	9,5	25,0	20,2	30,0	407075
1/2" - 3/4"	15,9	25,0	20,2	30,0	407100
3/4" - 3/4"	15,9	25,0	20,2	30,0	407150
1/4" - DN 10	10,0	34,0	27,5	30,0	407200
3/8" - DN 10	10,0	34,0	27,5	30,0	407250
1/2" - DN 15	16,0	34,0	27,5	30,0	407300
1/2" - DN 21,3	18,1	34,0	27,5	30,0	407310
3/4" - DN 15	16,0	34,0	27,5	30,0	407350
3/4" - DN 20	20,0	34,0	27,5	30,0	407355
1/8" - 1"	22,0	50,5	43,5	36,0	407410
1/4" - 1"	22,0	50,5	43,5	36,0	407420
3/8" - 1"	22,0	50,5	43,5	36,0	407400
1/2" - 1"	22,0	50,5	43,5	36,0	407450
3/4" - 1"	22,0	50,5	43,5	36,0	407500
1" - 1"	22,0	50,5	43,5	36,0	407550

Ferrule to Threaded Adaptor, male

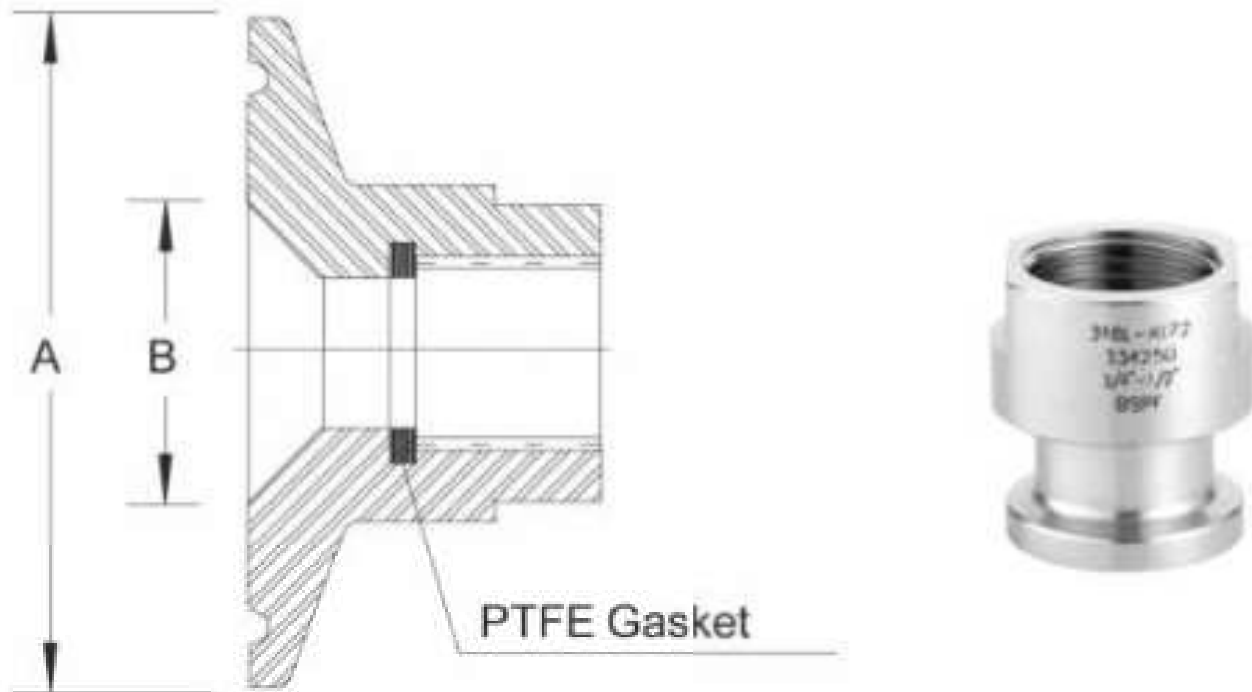
Material: AISI 316L (equiv. 1.4404), Surfaces according to Hygiene Class H3
3.1 Certificate (free of charge as download)



Nom. Size Thread - Ferrule	B mm	Flange Ø in mm A	Groove mm	Length mm	Item-No.
1¼" - 1¼"	29,7	50,5	43,5	36,0	407555
¼" - 1½"	35,0	50,5	43,5	36,0	407590
⅜" - 1½"	35,0	50,5	43,5	36,0	407580
½" - 1½"	35,0	50,5	43,5	36,0	407600
¾" - 1½"	35,0	50,5	43,5	36,0	407650
1" - 1½"	35,0	50,5	43,5	36,0	407700
1¼" - 1½"	35,0	50,5	43,5	36,0	407725
1½" - 1½"	35,0	50,5	43,5	36,0	407750
1" - 2"	47,5	64,0	56,5	40,0	407810
1¼" - 2"	47,5	64,0	56,5	40,0	407817
1½" - 2"	47,5	64,0	56,5	40,0	407815
2" - 2"	47,5	64,0	56,5	40,0	407820
2" - NW 50	56,3	77,5	70,5	45,0	407830
2" - DN 65	66,0	91,0	83,5	45,0	407835
2½" - DN 65	66,0	91,0	83,5	45,0	407840
3" - NW 80	84,3	106,0	97,0	40,0	407850

Ferrule to Threaded Adaptor, female

Material: AISI 316L (equiv. 1.4404), Surfaces according to Hygiene Class H3
3.1 Certificate (free of charge as download)

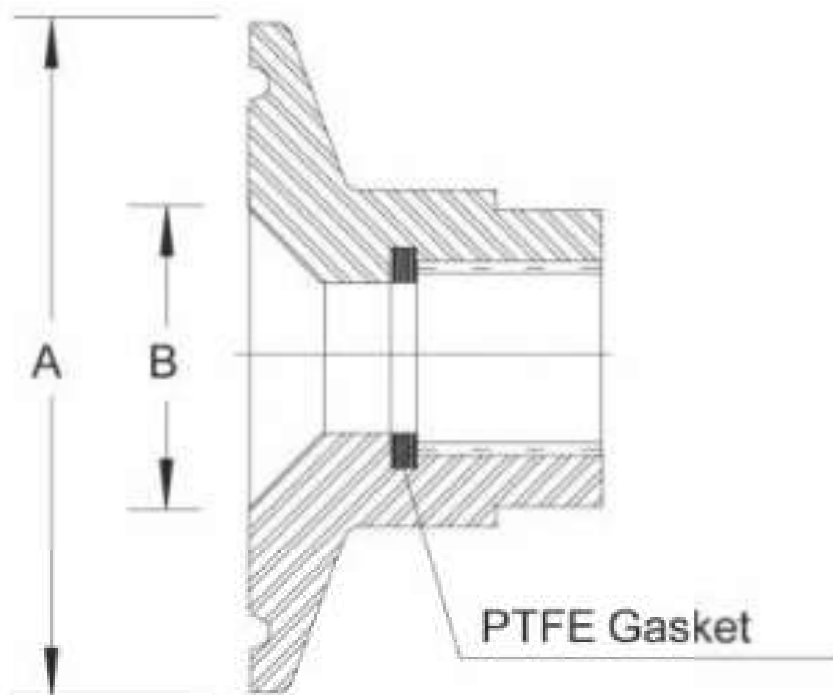


Nom. Size Thread - Ferrule	B mm	Flange Ø in mm A	Groove mm	Length mm	Item-No.
1/8" - 1/2"	9,5	25,0	20,2	25,0	408000
1/4" - 1/2"	9,5	25,0	20,2	25,0	408010
3/8" - 1/2"	9,5	25,0	20,2	25,0	408020
1/2" - 1/2"	9,5	25,0	20,2	30,0	408030
1/4" - 3/4"	15,9	25,0	20,2	30,0	408038
3/8" - 3/4"	15,9	25,0	20,2	30,0	408061
1/2" - 3/4"	15,9	25,0	20,2	30,0	408039
3/4" - 3/4"	15,9	25,0	20,2	30,0	408036
1/4" - DN 10	10,0	34,0	27,5	25,0	408031
3/8" - DN 10	10,0	34,0	27,5	25,0	408033
1/2" - DN 15	16,0	34,0	27,5	30,0	408032
1/4" - DN 15	16,0	34,0	27,5	25,0	408037
3/4" - DN 15	16,0	34,0	27,5	30,0	408034
3/4" - DN 20	20,0	34,0	27,5	30,0	408035
1/8" - 1"	22,0	50,5	43,5	25,0	408040
1/4" - 1"	22,0	50,5	43,5	25,0	408050
3/8" - 1"	22,0	50,5	43,5	25,0	408060
1/2" - 1"	22,0	50,5	43,5	25,0	408070



Ferrule to Threaded Adaptor, female

Material: AISI 316L (equiv. 1.4404), Surfaces according to Hygiene Class H3
3.1 Certificate (free of charge as download)

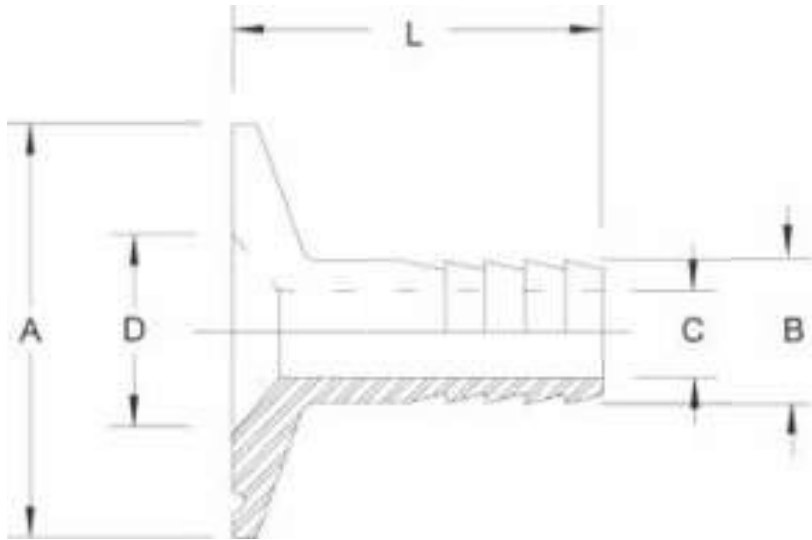


Nom. Size Thread - Ferrule	B mm	Flange Ø in mm A	Groove mm	Length mm	Item-No.
3/4" - 1"	22,0	50,5	43,5	25,0	408080
1" - 1"	22,0	50,5	43,5	25,0	408090
1/8" - 1 1/2"	35,0	50,5	43,5	25,0	408100
1/4" - 1 1/2"	35,0	50,5	43,5	25,0	408110
3/8" - 1 1/2"	35,0	50,5	43,5	25,0	408120
1/2" - 1 1/2"	35,0	50,5	43,5	25,0	408130
3/4" - 1 1/2"	35,0	50,5	43,5	25,0	408140
1" - 1 1/2"	35,0	50,5	43,5	30,0	408095
1 1/2" - 1 1/2"	35,0	50,5	43,5	30,0	408150
1" - DN 50	50,0	64,0	56,5	30,0	408165
1 1/4" - 2"	47,5	64,0	56,5	30,0	408175
1 1/2" - 2"	47,5	64,0	56,5	30,0	408155
2" - 2"	47,5	64,0	56,5	40,0	408160
2" - NW 50	56,3	77,5	70,5	40,0	408180
2 1/2" - 2 1/2"	60,2	77,5	70,5	30,0	408188
2 1/2" - DN 65	66,0	91,0	83,5	30,0	408190



Ferrule to Hosetail (imperial)

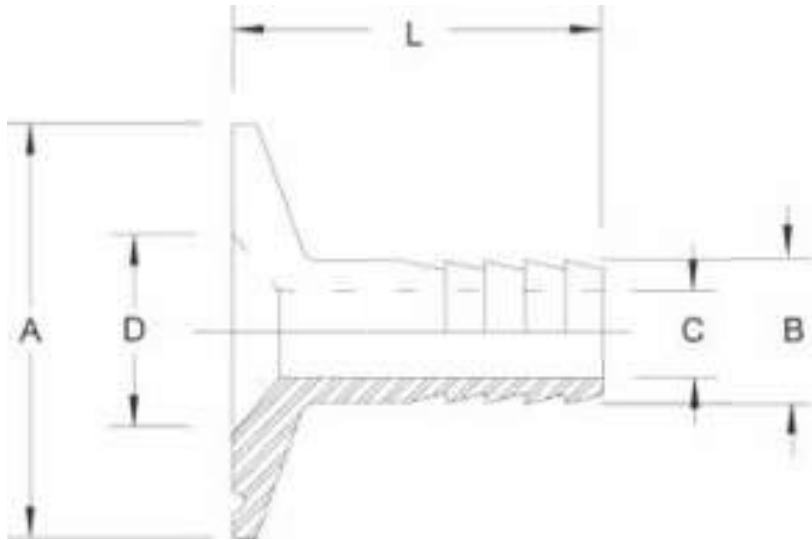
Material: AISI 316L (equiv. 1.4404), Surfaces according to Hygiene Class H3
3.1 Certificate (free of charge as download)



Nom. Size Hosetail - Ferrule	D mm	B mm	C mm	Flange Ø in mm A	Groove mm	Length mm	Item-No.
1/4" - 1/2"	9,5	6,4 (1/4")	3,5	25,0	20,2	32,0	430000
3/8" - 1/2"	9,5	9,5 (3/8")	6,5	25,0	20,2	32,0	430050
1/2" - 1/2"	9,5	12,7 (1/2")	9,5	25,0	20,2	32,0	430100
3/4" - 1/2"	9,5	19,0 (3/4")	15,9	25,0	20,2	32,0	430125
1/4" - DN 13,5	10,3	6,4 (1/4")	3,5	25,0	20,2	32,0	431005
3/8" - DN 13,5	10,3	9,5 (3/8")	6,5	25,0	20,2	32,0	431010
1/2" - DN 17,2	14,0	12,7 (1/2")	9,5	25,0	20,2	32,0	431015
1/4" - 3/4"	15,9	6,4 (1/4")	3,5	25,0	20,2	32,0	430150
3/8" - 3/4"	15,9	9,5 (3/8")	6,5	25,0	20,2	32,0	430200
1/2" - 3/4"	15,9	12,7 (1/2")	9,5	25,0	20,2	32,0	430250
3/4" - 3/4"	15,9	19,0 (3/4")	15,9	25,0	20,2	32,0	430300
1/4" - DN 10	10,0	6,4 (1/4")	3,5	34,0	27,5	40,0	430308
3/8" - DN 10	10,0	9,5 (3/8")	6,5	34,0	27,5	40,0	430309
1/2" - DN 10	10,0	12,7 (1/2")	9,5	34,0	27,5	40,0	430310
3/8" - DN 15	16,0	9,5 (3/8")	6,5	34,0	27,5	40,0	430319
1/2" - DN 15	16,0	12,7 (1/2")	9,5	34,0	27,5	40,0	430320

Ferrule to Hosetail (imperial)

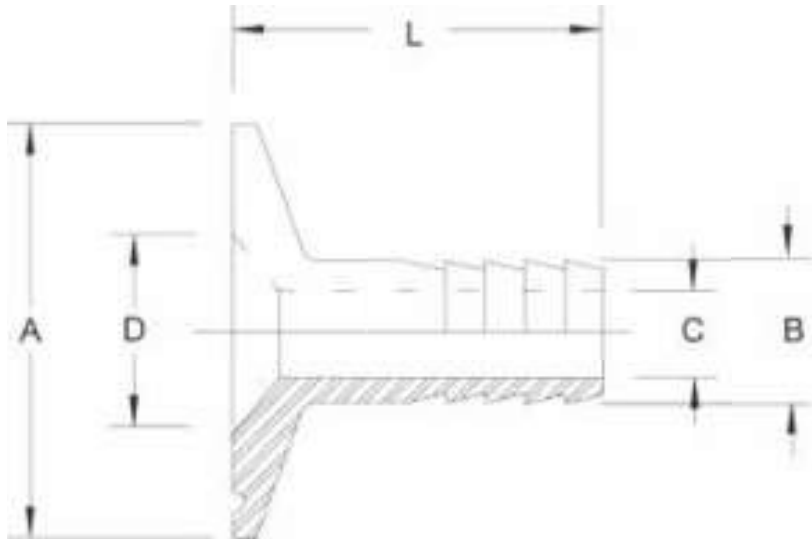
Material: AISI 316L (equiv. 1.4404), Surfaces according to Hygiene Class H3
3.1 Certificate (free of charge as download)



Nom. Size Hosetail - Ferrule	D mm	B mm	C mm	Flange Ø in mm A	Groove mm	Length mm	Item-No.
1/2" - DN 20	20,0	12,7 (1/2")	9,5	34,0	27,5	40,0	430329
3/4" - DN 15	16,0	19,0 (3/4")	15,9	34,0	27,5	40,0	430325
3/4" - DN 20	20,0	19,0 (3/4")	15,9	34,0	27,5	40,0	430330
3/8" - DN 21,3	18,1	9,5 (3/8")	6,5	50,5	43,5	40,0	431030
1/2" - DN 21,3	18,1	12,7 (1/2")	9,5	50,5	43,5	40,0	431035
1/4" - 1"	22,6	6,4 (1/4")	3,5	50,5	43,5	40,0	430339
3/8" - 1"	22,6	9,5 (3/8")	6,5	50,5	43,5	40,0	430340
1/2" - 1"	22,6	12,7 (1/2")	9,5	50,5	43,5	40,0	430350
3/4" - 1"	22,6	19,0 (3/4")	15,9	50,5	43,5	40,0	430400
1" - 1"	22,6	26,0 (1")	22,6	50,5	43,5	40,0	430450
1/4" - 1 1/2"	35,0	6,4 (1/4")	3,5	50,5	43,5	40,0	430470
3/8" - 1 1/2"	35,0	9,5 (3/8")	6,5	50,5	43,5	40,0	430480
1/2" - 1 1/2"	35,0	12,7 (1/2")	9,5	50,5	43,5	40,0	430500
3/4" - 1 1/2"	35,0	19,0 (3/4")	15,9	50,5	43,5	40,0	430550
1" - 1 1/2"	35,0	26,0 (1")	22,6	50,5	43,5	40,0	430600
1 1/2" - 1 1/2"	35,0	38,1 (1 1/2")	35,6	50,5	43,5	40,0	430650

Ferrule to Threaded Adaptor, female

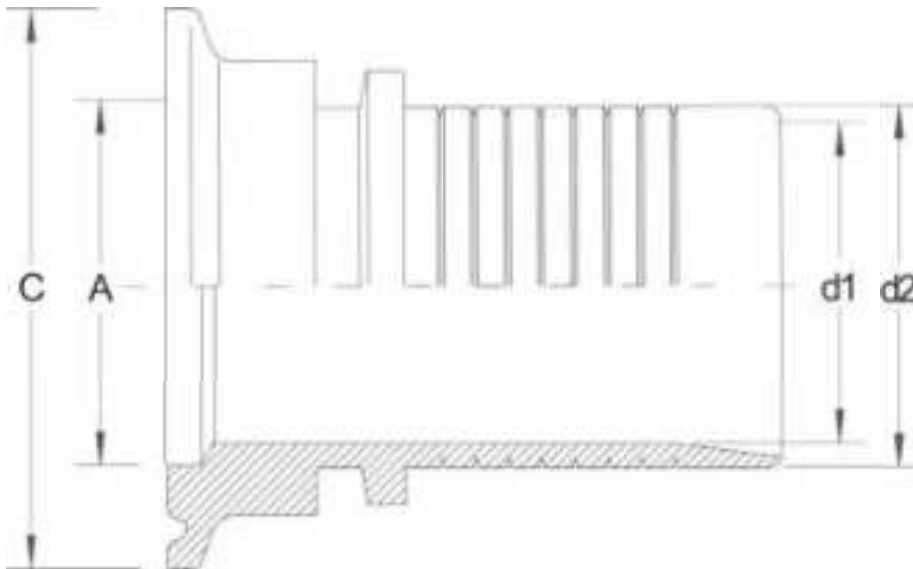
Material: AISI 316L (equiv. 1.4404), Surfaces according to Hygiene Class H3
3.1 Certificate (free of charge as download)



Nom. Size Hosetail - Ferrule	D mm	B mm	C mm	Flange Ø in mm A	Groove mm	Length mm	Item-No.
1/4" - DN 42,4	38,4	12,7 (1/4")	9,5	64,0	56,5	40,0	431041
1/2" - 2"	47,5	12,7 (1/2")	9,5	64,0	56,5	60,0	430660
3/4" - 2"	47,5	19,0 (3/4")	15,9	64,0	56,5	60,0	430670
1" - 2"	47,5	26,0 (1")	22,6	64,0	56,5	60,0	430700
1 1/2" - 2"	47,5	38,1 (1 1/2")	35,6	64,0	56,5	60,0	430750
2" - 2"	47,5	50,8 (2")	48,6	64,0	56,5	60,0	430800
2 1/2" - 2 1/2"	59,5	63,5 (2 1/2")	59,5	77,5	70,5	60,0	430950

Ferrules DIN 32676 to Hosetails DIN EN 14420-2

Material: AISI 316L (equiv. 1.4404), Surfaces according to Hygiene Class H3
3.1 Certificate (free of charge as download)



Nom. Size Hose - Ferrule	A mm	d1 mm	d2 mm	Ferrule OD C	Groove mm	Length mm	Item-No.
DN15 - 3/4"	15,75	9,0	13,4	25,0	20,2	59,0	440900
DN15 - DN15	16,0	9,0	13,4	34,0	27,5	50,0	441000
DN20 - DN20	20,0	15,0	19,4	34,0	27,5	50,0	441100
DN25 - DN25	26,0	21,0	25,4	50,5	43,5	50,0	441200
DN32 - DN32	32,0	28,0	32,4	50,5	43,5	55,0	441300
DN38 - DN40	38,0	33,5	38,4	50,5	43,5	55,0	441400
DN38 - NW32	38,4	33,5	38,4	64,0	56,5	60,0	441550
DN50 - DN50	50,0	45,5	50,4	64,0	56,5	60,0	441600
DN65 - DN65	66,0	58,5	63,4	91,0	83,5	62,0	441700
DN75 - DN80	81,0	70,5	75,4	106,0	97,0	76,5	441800



Clamp Collar according to DIN EN 14420-2

Material: AISI 316L (1.4408)

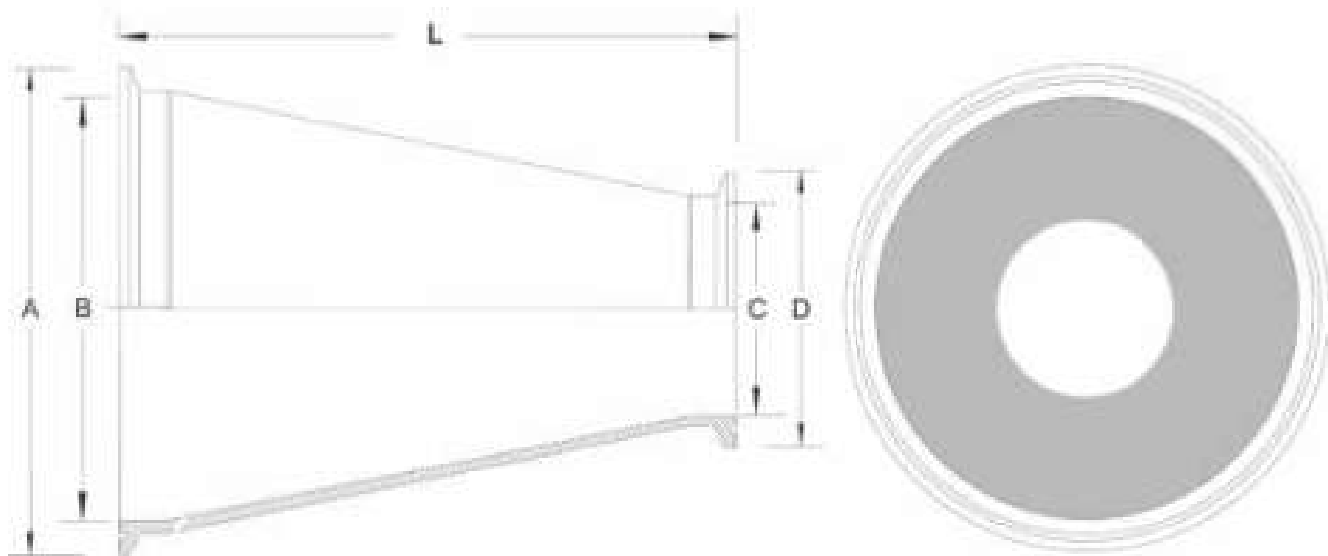


Nom. Size	fit to Hose	Item-No.
DN 15	DN 13 x 6 mm	450000
DN 20	DN 19 x 6 mm	450003
DN 25	DN 25 x 6 mm	450005
DN 32	DN 32 x 6 mm	450010
DN38	DN 38 x 6,5 mm	450015
DN 50	DN 50 x 8 mm	450020
DN 65	DN 65 x 8 mm	450025
DN 80	DN 75 x 8 mm	450030
DN 100	DN 100 x 8 mm	450035



Ferrule ended Reducers (concentric)

Material: AISI 316L (equiv. 1.4404), Surfaces according to Hygiene Class H3
3.1 Certificate (free of charge as download)



Nom. Size Ferrule - Ferrule	A mm	B mm	C mm	D mm	Length mm	Item-No.
¾" - ½"	25,0	15,9	9,5	25,0	40,0	460000
DN10 > ½"	34,0	10,0	9,5	25,0	40,0	460005
1" > ½"	50,5	22,2	9,5	25,0	50,0	460010
1" > ¾"	50,5	22,2	15,9	25,0	50,0	460020
1" > DN10	50,5	22,2	10,0	34,0	50,0	460022
1" > DN20	50,5	22,2	20,0	34,0	50,0	460025
1½" > ½"	50,5	34,9	9,5	25,0	50,0	460030
1½" > ¾"	50,5	34,9	15,9	25,0	50,0	460040
1½" > 1"	50,5	34,9	22,2	50,5	50,0	460050
2" > ½"	64,0	47,6	9,5	25,0	50,0	460060
2" > ¾"	64,0	47,6	15,9	25,0	50,0	460070
2" > 1"	64,0	47,6	22,2	50,5	50,0	460080
2" > 1½"	64,0	47,6	34,9	50,5	50,0	460090
2½" > ½"	77,5	60,3	9,5	25,0	60,0	460100
2½" > ¾"	77,5	60,3	15,9	25,0	60,0	460110
2½" > 1"	77,5	60,3	22,2	50,5	60,0	460120
2½" > 1½"	77,5	60,3	34,9	50,5	60,0	460130

Ferrule ended Reducers (concentric)

Material: AISI 316L (equiv. 1.4404), Surfaces according to Hygiene Class H3
3.1 Certificate (free of charge as download)



Nom. Size Ferrule - Ferrule	A mm	B mm	C mm	D mm	Length mm	Item-No.
2½" > 2"	77,5	60,3	47,6	64,0	60,0	460140
3" > ½"	91,0	73,0	9,5	25,0	60,0	460150
3" > ¾"	91,0	73,0	15,9	25,0	60,0	460160
3" > 1"	91,0	73,0	22,2	50,5	60,0	460170
3" > 1½"	91,0	73,0	34,9	50,5	60,0	460180
3" > 2"	91,0	73,0	47,6	64,0	60,0	460190
3" > 2½"	91,0	73,0	60,3	77,5	60,0	460200
DN25 > DN20	50,5	26,0	20,0	34,0	50,0	460600
DN100 > DN80	119,0	100,0	81,0	106,0	60,0	460960

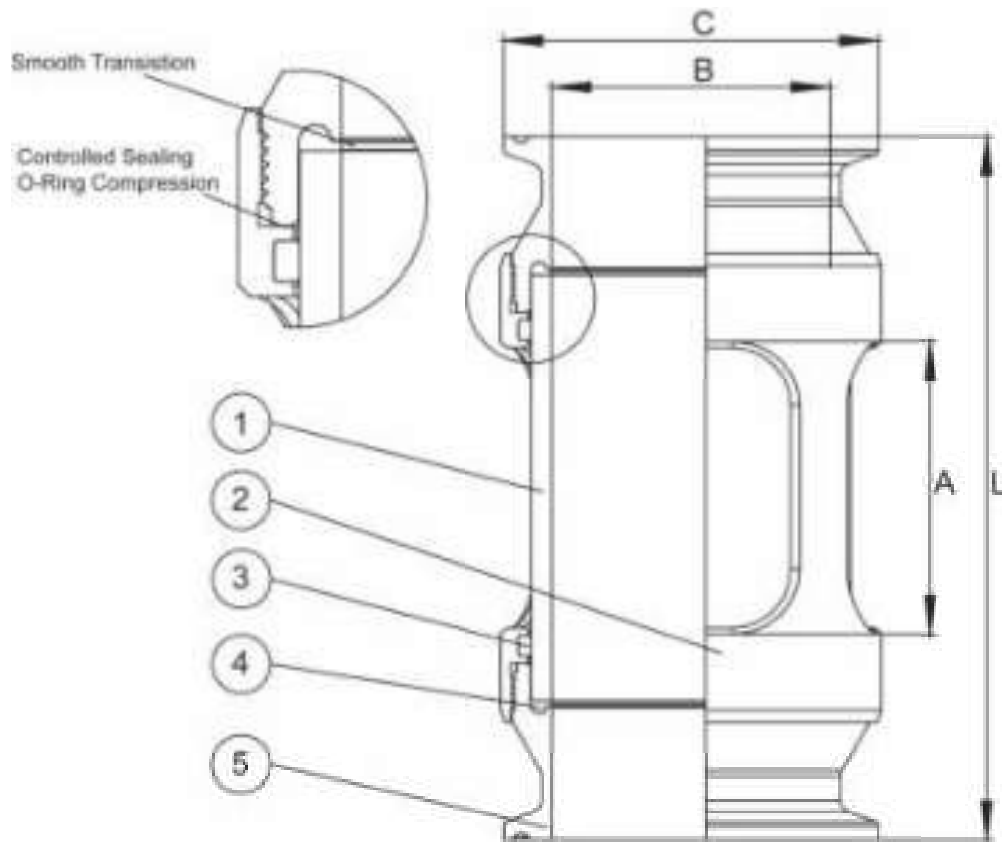
SVFI - Sterile Visual Flow Indicator

Material: AISI 316L (equiv. 1.4404) incl. 3.1 Certificate (free of charge as download)
Borosilicate-Glass, EPDM O-Ring



SVFI - Sterile Visual Flow Indicator

Material: AISI 316L (equiv. 1.4404) incl. 3.1 Certificate (free of charge as download)
Borosilicate-Glass, EPDM O-Ring



Item	Qty.	Description	Material
1	1	Glass	Borosilicate
2	1	Body	316L St.St
3	2	O-Ring	EPDM
4	2	O-Ring	EPDM
5	2	Flange-Ends	316L StSt

Surface Finish
0,50 µm
0,63 µm
0,75 µm
0,38 µm electropol.
0,50 µm electropol.
0,63 µm electropol.

Nom. Size Ferrule - Ferrule	B mm	C mm	A mm	Length mm	Item-No.	Max. Working- pressure in bar
3/8"	7,7	25,0	16 x 8	65,0	480310	22
1/2"	9,5	25,0	20 x 9	76,0	480320	20
3/4"	15,8	25,0	27 x 11	87,0	480330	17,5
1"	22,1	50,5	30 x 16	91,0	480340	8,5
1 1/2"	34,8	50,5	40 x 24	105,0	480350	8
2"	47,5	64,0	48 x 34	120,0	480360	7
2 1/2"	60,3	77,5	55 x 40	151,0	480370	6,5
3"	72,9	91,0	90 x 50	175,0	480380	6,5
4"	97,4	119,0	110 x 60	200,0	480390	4
6"	150,0	167,0	150 x 80	250,0	480500	3



Clamp ferrules with bund DIN11864-3 and DIN11853-3

Material: AISI 316L (equiv. 1.4404), Surfaces according to Hygiene Class H3
3.1 Certificate (free of charge as download)



Clamp ferrules with groove DIN11864-3, Form A, sched. A

Material: AISI 316L (equiv. 1.4404), Surfaces according to Hygiene Class H3

3.1 Certificate (free of charge as download)



sched. A DN Metric	Tube OD A	Tube ID B	Flange OD C	Length D	Overall Length E	Item-No.
DN10	13,0	10,0	34,0	26,0	39,5	852000
DN15	19,0	16,0	34,0	26,0	39,5	852050
DN20	23,0	20,0	50,5	26,0	39,5	852100
DN25	29,0	26,0	50,5	28,0	40,0	852150
DN32	35,0	32,0	50,5	30,0	45,5	852200
DN40	41,0	38,0	64,0	30,0	45,5	852250
DN50	53,0	50,0	77,5	30,0	46,0	852300
DN65	70,0	66,0	91,0	40,0	58,0	852350
DN80	85,0	81,0	106,0	40,0	60,0	852400
DN100	104,0	100,0	130,0	40,0	61,5	852450

Clamp ferrules with bund DIN11864-3, Form A, sched. A

Material: AISI 316L (equiv. 1.4404), Surfaces according to Hygiene Class H3
3.1 Certificate (free of charge as download)



sched. A DN Metric	Tube OD A	Tube ID B	Flange OD C	Length D	Overall Length E	Item-No.
DN10	13,0	10,0	34,0	26,0	38,0	854000
DN15	19,0	16,0	34,0	26,0	38,0	854050
DN20	23,0	20,0	50,5	26,0	38,0	854100
DN25	29,0	26,0	50,5	28,0	38,5	854150
DN32	35,0	32,0	50,5	30,0	44,0	854200
DN40	41,0	38,0	64,0	30,0	44,0	854250
DN50	53,0	50,0	77,5	30,0	44,5	854300
DN65	70,0	66,0	91,0	40,0	56,5	854350
DN80	85,0	81,0	106,0	40,0	58,5	854400
DN100	104,0	100,0	130,0	40,0	60,0	854450

Clamp ferrules with groove DIN11864-3, Form A, sched. B

Material: AISI 316L (equiv. 1.4404), Surfaces according to Hygiene Class H3

3.1 Certificate (free of charge as download)



sched. B Nom. Width OD	Tube OD A	Tube ID B	Flange OD C	Length D	Overall Length E	Item-No.
13,5	13,5	10,3	34,0	26,0	39,5	856000
17,2	17,2	14,0	34,0	26,0	39,5	856050
21,3	21,3	18,1	34,0	26,0	40,5	856100
26,9	26,9	23,7	50,5	30,0	40,0	856150
33,7	33,7	29,7	50,5	30,0	45,5	856200
42,4	42,4	38,4	64,0	30,0	45,5	856250
48,3	48,3	44,3	64,0	30,0	46,5	856300
60,3	60,3	56,3	91,0	40,0	58,5	856350
76,1	76,1	72,1	106,0	40,0	60,0	856400
88,9	88,9	84,3	119,0	40,0	62,5	856450

Clamp ferrules with bund DIN11864-3, Form A, sched. B

Material: AISI 316L (equiv. 1.4404), Surfaces according to Hygiene Class H3
3.1 Certificate (free of charge as download)



sched. B Nom. Width OD	Tube OD A	Tube ID B	Flange OD C	Length D	Overall Length E	Item-No.
13,5	13,5	10,3	34,0	26,0	38,0	858000
17,2	17,2	14,0	34,0	26,0	38,0	858050
21,3	21,3	18,1	34,0	26,0	39,0	858100
26,9	26,9	23,7	50,5	30,0	39,0	858150
33,7	33,7	29,7	50,5	30,0	44,0	858200
42,4	42,4	38,4	64,0	30,0	44,0	858250
48,3	48,3	44,3	64,0	30,0	45,0	858300
60,3	60,3	56,3	91,0	40,0	57,0	858350
76,1	76,1	72,1	106,0	40,0	58,5	858400
88,9	88,9	84,3	119,0	40,0	61,0	858450

Clamp ferrules with groove DIN11864-3, Form A, sched. C

Material: AISI 316L (equiv. 1.4404), Surfaces according to Hygiene Class H3

3.1 Certificate (free of charge as download)



sched. C Inch	Tube OD A	Tube ID B	Flange OD C	Length D	Overall Length E	Item-No.
1/2"	12,7	9,4	34,0	26,0	39,5	860000
3/4"	19,05	15,75	34,0	26,0	39,5	860050
1"	25,4	22,1	50,5	28,0	40,0	860100
1 1/2"	38,1	34,8	64,0	30,0	45,5	860150
2"	50,8	47,5	77,5	30,0	46,0	860200
2 1/2"	63,5	60,2	91,0	40,0	59,0	860250
3"	76,2	72,9	106,0	40,0	60,0	860300
4"	101,6	97,38	130,0	40,0	61,0	860350

Clamp ferrules with bund DIN11864-3, Form A, sched. C

Material: AISI 316L (equiv. 1.4404), Surfaces according to Hygiene Class H3
3.1 Certificate (free of charge as download)



sched. C Inch	Tube OD A	Tube ID B	Flange OD C	Length D	Overall Length E	Item-No.
1/2"	12,7	9,4	34,0	26,0	38,0	862000
3/4"	19,05	15,75	34,0	26,0	38,0	862050
1"	25,4	22,1	50,5	28,0	38,5	862100
1 1/2"	38,1	34,8	64,0	30,0	44,0	862150
2"	50,8	47,5	77,5	30,0	44,5	862200
2 1/2"	63,5	60,2	91,0	40,0	57,5	862250
3"	76,2	72,9	106,0	40,0	58,5	862300
4"	101,6	97,38	130,0	40,0	59,5	862350

Blind clamp ferrules with groove DIN11864-3/DIN11853-3, sched. C

Material: AISI 316L (equiv. 1.4404), Surfaces according to Hygiene Class H3

3.1 Certificate (free of charge as download)



sched. A DN Metric	Flange OD Ø in mm	Material Thickness in mm	Item-No.
10	34,0	13,0	800000
15	34,0	13,0	800050
20	50,5	13,0	800100
25	50,5	13,0	800150
32	50,5	13,0	800200
40	64,0	13,0	800250
50	77,5	15,0	800300
65	91,0	15,0	800350
80	106,0	15,0	800400
100	130,0	15,0	800450

sched. B Nom. Width OD	Flange OD Ø in mm	Material Thickness in mm	Item-No.
13,5	34,0	13,0	800000
17,2	34,0	13,0	804050
21,3	34,0	13,0	804100
26,9	50,5	13,0	804150
33,7	50,5	13,0	804200
42,4	64,0	13,0	804250
48,3	64,0	13,0	804300
60,3	91,0	15,0	804350
76,1	106,0	15,0	804400
88,9	119,0	15,0	804450

sched. C Inch	Flange OD Ø in mm	Material Thickness in mm	Item-No.
½"	34,0	13,0	808000
¾"	34,0	13,0	800050
1"	50,5	13,0	808100
1½"	64,0	13,0	808150
2"	77,5	15,0	808200
2½"	91,0	15,0	808250
3"	106,0	15,0	808300
4"	130,0	15,0	808350

Blind clamp ferrules with bund DIN11864-3/DIN11853-3, sched. C

Material: AISI 316L (equiv. 1.4404), Surfaces according to Hygiene Class H3
3.1 Certificate (free of charge as download)



sched. A DN Metric	Flange OD Ø in mm	Material Thickness in mm	Item-No.
10	34,0	11,5	802000
15	34,0	11,5	802050
20	50,5	11,5	802100
25	50,5	11,5	802150
32	50,5	11,5	802200
40	64,0	11,5	802250
50	77,5	13,5	802300
65	91,0	13,5	802350
80	106,0	13,5	802400
100	130,0	13,5	802450

sched. B Nom. Width OD	Flange OD Ø in mm	Material Thickness in mm	Item-No.
13,5	34,0	11,5	802000
17,2	34,0	11,5	806050
21,3	34,0	11,5	806100
26,9	50,5	11,5	806150
33,7	50,5	11,5	806200
42,4	64,0	11,5	806250
48,3	64,0	11,5	806300
60,3	91,0	13,5	806350
76,1	106,0	13,5	806400
88,9	119,0	13,5	806450

sched. C Inch	Flange OD Ø in mm	Material Thickness in mm	Item-No.
½"	34,0	11,5	810000
¾"	34,0	11,5	802050
1"	50,5	11,5	810100
1½"	64,0	11,5	810150
2"	77,5	13,5	810200
2½"	91,0	13,5	810250
3"	106,0	13,5	810300
4"	130,0	13,5	810350

EPDM O-Ring Gasket DIN11864-3/DIN11853-3, sched. A/B/C

FDA- & USP CLASS VI-Certificate free of charge as download

sched. A DN Metric	Flange OD Ø in mm	O-Ring Dimensions in mm	Item-No.
10	34,0	12,0 x 3,5	900000
15	34,0	18,0 x 3,5	900050
20	50,5	22,0 x 3,5	900100
25	50,5	28,0 x 3,5	900150
32	50,5	34,0 x 5,0	900200
40	64,0	40,0 x 5,0	900250
50	77,5	52,0 x 5,0	900300
65	91,0	68,0 x 5,0	900350
80	106,0	83,0 x 5,0	900400
100	130,0	102,0 x 5,0	900450

sched. B Nom. Width OD	Flange OD Ø in mm	O-Ring Dimensions in mm	Item-No.
13,5	34,0	12,0 x 3,5	900000
17,2	34,0	16,0 x 3,5	910050
21,3	34,0	20,0 x 3,5	910100
26,9	50,5	26,0 x 3,5	910150
33,7	50,5	32,0 x 5,0	910200
42,4	64,0	40,5 x 5,0	910250
48,3	64,0	46,5 x 5,0	910300
60,3	91,0	58,5 x 5,0	910350
76,1	106,0	73,5 x 5,0	910400
88,9	119,0	86,5 x 5,0	910450

sched. C Inch	Flange OD Ø in mm	O-Ring Dimensions in mm	Item-No.
½"	34,0	12,0 x 3,5	900000
¾"	34,0	18,0 x 3,5	900050
1"	50,5	24,0 x 3,5	920100
1½"	64,0	37,5 x 5,0	920150
2"	77,5	50,0 x 5,0	920200
2½"	91,0	62,0 x 5,0	920250
3"	106,0	75,5 x 5,0	920300
4"	130,0	100,0 x 5,0	920350

FEP-enveloped O-Ring Gasket DIN11864-3/DIN11853-3, sched. A/B/C

FDA- & USP CLASS VI-Certificate free of charge as download

sched. A DN Metric	Flange OD Ø in mm	O-Ring Dimensions in mm	Item-No.
10	34,0	12,0 x 3,5	960000
15	34,0	18,0 x 3,5	960050
20	50,5	22,0 x 3,5	960100
25	50,5	28,0 x 3,5	960150
32	50,5	34,0 x 5,0	960200
40	64,0	40,0 x 5,0	960250
50	77,5	52,0 x 5,0	960300
65	91,0	68,0 x 5,0	960350
80	106,0	83,0 x 5,0	960400
100	130,0	102,0 x 5,0	960450

sched. B Nom. Width OD	Flange OD Ø in mm	O-Ring Dimensions in mm	Item-No.
13,5	34,0	12,0 x 3,5	960000
17,2	34,0	16,0 x 3,5	970050
21,3	34,0	20,0 x 3,5	970100
26,9	50,5	26,0 x 3,5	970150
33,7	50,5	32,0 x 5,0	970200
42,4	64,0	40,5 x 5,0	970250
48,3	64,0	46,5 x 5,0	970300
60,3	91,0	58,5 x 5,0	970350
76,1	106,0	73,5 x 5,0	970400
88,9	119,0	86,5 x 5,0	970450

sched. C Inch	Flange OD Ø in mm	O-Ring Dimensions in mm	Item-No.
½"	34,0	12,0 x 3,5	960000
¾"	34,0	18,0 x 3,5	960050
1"	50,5	24,0 x 3,5	980100
1½"	64,0	37,5 x 5,0	980150
2"	77,5	50,0 x 5,0	980200
2½"	91,0	62,0 x 5,0	980250
3"	106,0	75,5 x 5,0	980300
4"	130,0	100,0 x 5,0	980350

Silicone O-Ring Gasket DIN11864-3/DIN11853-3, sched. A/B/C

FDA- & USP CLASS VI-Certificate free of charge as download

sched. A DN Metric	Flange OD Ø in mm	O-Ring Dimensions in mm	Item-No.
10	34,0	12,0 x 3,5	930000
15	34,0	18,0 x 3,5	930050
20	50,5	22,0 x 3,5	930100
25	50,5	28,0 x 3,5	930150
32	50,5	34,0 x 5,0	930200
40	64,0	40,0 x 5,0	930250
50	77,5	52,0 x 5,0	930300
65	91,0	68,0 x 5,0	930350
80	106,0	83,0 x 5,0	930400
100	130,0	102,0 x 5,0	930450

sched. B Nom. Width OD	Flange OD Ø in mm	O-Ring Dimensions in mm	Item-No.
13,5	34,0	12,0 x 3,5	930000
17,2	34,0	16,0 x 3,5	940050
21,3	34,0	20,0 x 3,5	940100
26,9	50,5	26,0 x 3,5	940150
33,7	50,5	32,0 x 5,0	940200
42,4	64,0	40,5 x 5,0	930250
48,3	64,0	46,5 x 5,0	930300
60,3	91,0	58,5 x 5,0	930350
76,1	106,0	73,5 x 5,0	930400
88,9	119,0	86,5 x 5,0	930450

sched. C Inch	Flange OD Ø in mm	O-Ring Dimensions in mm	Item-No.
½"	34,0	12,0 x 3,5	930000
¾"	34,0	18,0 x 3,5	930050
1"	50,5	24,0 x 3,5	950100
1½"	64,0	37,5 x 5,0	950150
2"	77,5	50,0 x 5,0	950200
2½"	91,0	62,0 x 5,0	950250
3"	106,0	75,5 x 5,0	950300
4"	130,0	100,0 x 5,0	950350

AC-Clamp Type SH with Wing-Nut

suitable for ferrules DIN 32676, ISO 2852, EN ISO 1127, BS 4825 and Non-standard



For flange Ø in mm	Tube Sizes/Nom. Sizes		Working pressure in bar at 150° C safety factor of 5	Working pressure in bar at 150° C safety factor of 2	Maximum Test Pressure in bar at 20° C	Weight (g)	Type	Item-No.
	DIN 11864-3 Nom. Width sched. A	DIN 11853-3 Nom. Width sched. A						
34,0	10-15	10-15	20	50	100	170	SB	100100
50,5	20-25-32	20-25-32	20	50	100	250	SB	100200
64,0	40	40	20	50	100	330	SB	100300
77,5	50	50	20	50	100	380	SB	100400
91,0	65	65	16	40	80	440	SB	100500
106,0	80	80	16	40	80	440	SB	100600
130,0	100	100	12	30	60	600	SB	100900

For flange Ø in mm	Tube Sizes/Nom. Sizes		Working pressure in bar at 150° C safety factor of 5	Working pressure in bar at 150° C safety factor of 2	Maximum Test Pressure in bar at 20° C	Weight (g)	Type	Item-No.
	DIN 11864-3 Nom. Width sched. B	DIN 11853-3 Nom. Width sched. B						
34,0	13,5 - 17,2 - 21,3	13,5 - 17,2 - 21,3	20	50	100	170	SB	100100
50,5	26,9 - 33,7	26,9 - 33,7	20	50	100	250	SB	100200
64,0	42,4 - 48,3	42,4 - 48,3	20	50	100	330	SB	100300
91,0	60,3	60,3	16	40	80	440	SB	100500
106,0	76,1	76,1	16	40	80	440	SB	100600
119,0	88,9	88,9	14	35	70	570	SB	100700

For flange Ø in mm	Tube Sizes/Nom. Sizes		Working pressure in bar at 150° C safety factor of 5	Working pressure in bar at 150° C safety factor of 2	Maximum Test Pressure in bar at 20° C	Weight (g)	Type	Item-No.
	DIN 11864-3 Nom. Width sched. C	DIN 11853-3 Nom. Width sched. C						
34,0	1/4"-3/4"	1/4"-3/4"	20	50	100	170	SB	100100
50,5	1"	1"	20	50	100	250	SB	100200
64,0	1 1/2"	1 1/2"	20	50	100	330	SB	100300
77,5	2"	2"	20	50	100	380	SB	100400
91,0	2 1/2"	2 1/2"	16	40	80	440	SB	100500
106,0	3"	3"	16	40	80	440	SB	100600
130,0	4"	4"	12	30	60	600	SB	100900

AC-Clamp Type SH with Hex-Nut

suitable for ferrules DIN 32676, ISO 2852, EN ISO 1127, BS 4825 and Non-standard



For flange Ø in mm	Tube Sizes/Nom. Sizes		Working pressure in bar at 150° C safety factor of 5	Working pressure in bar at 150° C safety factor of 2	Maximum Test Pressure in bar at 20° C	Weight (g)	Type	Item-No.
	DIN 11864-3 Nom. Width sched. A	DIN 11853-3 Nom. Width sched. A						
34,0	10-15	10-15	20	50	100	170	SBX	100110
50,5	20-25-32	20-25-32	20	50	100	250	SBX	100210
64,0	40	40	20	50	100	330	SBX	100310
77,5	50	50	20	50	100	380	SBX	100410
91,0	65	65	16	40	80	440	SBX	100510
106,0	80	80	16	40	80	440	SBX	100610
130,0	100	100	12	30	60	600	SBX	100910

For flange Ø in mm	Tube Sizes/Nom. Sizes		Working pressure in bar at 150° C safety factor of 5	Working pressure in bar at 150° C safety factor of 2	Maximum Test Pressure in bar at 20° C	Weight (g)	Type	Item-No.
	DIN 11864-3 Nom. Width sched. B	DIN 11853-3 Nom. Width sched. B						
34,0	13,5 - 17,2 - 21,3	13,5 - 17,2 - 21,3	20	50	100	170	SBX	100110
50,5	26,9 - 33,7	26,9 - 33,7	20	50	100	250	SBX	100210
64,0	42,4 - 48,3	42,4 - 48,3	20	50	100	330	SBX	100310
91,0	60,3	60,3	16	40	80	440	SBX	100510
106,0	76,1	76,1	16	40	80	440	SBX	100610
119,0	88,9	88,9	14	35	70	570	SBX	100710

For flange Ø in mm	Tube Sizes/Nom. Sizes		Working pressure in bar at 150° C safety factor of 5	Working pressure in bar at 150° C safety factor of 2	Maximum Test Pressure in bar at 20° C	Weight (g)	Type	Item-No.
	DIN 11864-3 Nom. Width sched. C	DIN 11853-3 Nom. Width sched. C						
34,0	1/4"-3/4"	1/4"-3/4"	20	50	100	170	SBX	100110
50,5	1"	1"	20	50	100	250	SBX	100210
64,0	1 1/2"	1 1/2"	20	50	100	330	SBX	100310
77,5	2"	2"	20	50	100	380	SBX	100410
91,0	2 1/2"	2 1/2"	16	40	80	440	SBX	100510
106,0	3"	3"	16	40	80	440	SBX	100610
130,0	4"	4"	12	30	60	600	SBX	100910

AC-Clamp Type SH Safety with Wing-Nut

suitable for ferrules DIN 32676, ISO 2852, EN ISO 1127, BS 4825 and Non-standard



For flange Ø in mm	Tube Sizes/Nom. Sizes		Working pressure in bar at 150° C	max. Test Pressure in bar	Weight (g)	Type	Item-No.
	DIN 11864-3 Nom. Width sched. A	DIN 11853-3 Nom. Width sched. A					
34,0	10-15	10-15	20	100	170	SB	100105
50,5	20-25-32	20-25-32	20	100	250	SB	100205
64,0	40	40	20	100	330	SB	100305
77,5	50	50	20	100	380	SB	100405
91,0	65	65	19	95	440	SB	100505
106,0	80	80	17	85	440	SB	100605
130,0	100	100	13	65	600	SB	100905

For flange Ø in mm	Tube Sizes/Nom. Sizes		Working pressure in bar at 150° C	max. Test Pressure in bar	Weight (g)	Type	Item-No.
	DIN 11864-3 Nom. Width sched. B	DIN 11853-3 Nom. Width sched. B					
34,0	13,5 - 17,2 - 21,3	13,5 - 17,2 - 21,3	20	100	170	SB	100105
50,5	26,9 - 33,7	26,9 - 33,7	20	100	250	SB	100205
64,0	42,4 - 48,3	42,4 - 48,3	20	100	330	SB	100305
91,0	60,3	60,3	19	95	440	SB	100505
106,0	76,1	76,1	17	85	440	SB	100605
119,0	88,9	88,9	14	70	570	SB	100705

For flange Ø in mm	Tube Sizes/Nom. Sizes		Working pressure in bar at 150° C	max. Test Pressure in bar	Weight (g)	Type	Item-No.
	DIN 11864-3 Nom. Width sched. C	DIN 11853-3 Nom. Width sched. C					
34,0	1/4"-3/4"	1/4"-3/4"	20	100	170	SB	100105
50,5	1"	1"	20	100	250	SB	100205
64,0	1 1/2"	1 1/2"	20	100	330	SB	100305
77,5	2"	2"	20	100	380	SB	100405
91,0	2 1/2"	2 1/2"	19	95	440	SB	100505
106,0	3"	3"	17	85	440	SB	100605
130,0	4"	4"	13	65	600	SB	100905

AC-Clamp Type SH Safety with Hex-Nut

suitable for ferrules DIN 32676, ISO 2852, EN ISO 1127, BS 4825 and Non-standard



For flange Ø in mm	Tube Sizes/Nom. Sizes		Working pressure in bar at 150° C	max. Test Pressure in bar	Weight (g)	Type	Item-No.
	DIN 11864-3 Nom. Width sched. A	DIN 11853-3 Nom. Width sched. A					
34,0	10-15	10-15	20	100	170	SBX	100106
50,5	20-25-32	20-25-32	20	100	250	SBX	100206
64,0	40	40	20	100	330	SBX	100306
77,5	50	50	20	100	380	SBX	100406
91,0	65	65	19	95	440	SBX	100507
106,0	80	80	17	85	440	SBX	100606
130,0	100	100	13	65	600	SBX	100908

For flange Ø in mm	Tube Sizes/Nom. Sizes		Working pressure in bar at 150° C	max. Test Pressure in bar	Weight (g)	Type	Item-No.
	DIN 11864-3 Nom. Width sched. B	DIN 11853-3 Nom. Width sched. B					
34,0	13,5 - 17,2 - 21,3	13,5 - 17,2 - 21,3	20	100	170	SBX	100106
50,5	26,9 - 33,7	26,9 - 33,7	20	100	250	SBX	100206
64,0	42,4 - 48,3	42,4 - 48,3	20	100	330	SBX	100306
91,0	60,3	60,3	19	95	440	SBX	100507
106,0	76,1	76,1	17	85	440	SBX	100606
119,0	88,9	88,9	14	70	570	SBX	100707

For flange Ø in mm	Tube Sizes/Nom. Sizes		Working pressure in bar at 150° C	max. Test Pressure in bar	Weight (g)	Type	Item-No.
	DIN 11864-3 Nom. Width sched. C	DIN 11853-3 Nom. Width sched. C					
34,0	1/4"-3/4"	1/4"-3/4"	20	100	170	SBX	100106
50,5	1"	1"	20	100	250	SBX	100206
64,0	1 1/2"	1 1/2"	20	100	330	SBX	100306
77,5	2"	2"	20	100	380	SBX	100406
91,0	2 1/2"	2 1/2"	19	95	440	SBX	100507
106,0	3"	3"	17	85	440	SBX	100606
130,0	4"	4"	13	65	600	SBX	100908

V-Clamps

V-clamps are used wherever quick assembly of vessels and pipework is required, where narrow installation space occurs or conventional bolted flanges are too heavy or too expensive. Typical applications are exhaustgaspipework on engines of commercial vehicles, rail, construction machinery, vessels, filterbodies, pumps and instruments in the food-, pharma- and chemical plant construction.



V-Clamp with tension band and toggle lever



V-Clamp with toggle lever, cast lugs, SX-type



V-Clamp cast, SH-type for standard tube/pipe ferrules



V-Clamp, ferrules and gaskets for standard tube/pipe couplings

Stahlcon V-Clamps are produced in workshops certified to ISO9002. Material certifications on demand. TÜV-Certificates are available for several types and sizes of clamps. For standard tube/pipe couplings we supply ferrules and gaskets too.



V-Clamps without Tension Band



Double-hinged V-Clamp cast. Type SH suitable for DIN, ISO, BS, etc. Sizes range from 1/2" through to 6", from DN 08 through to DN150.

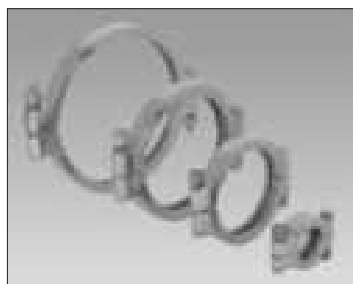


Double-hinged V-Clamp, cast. Type SH suitable for DIN, ISO, BS, etc..

Sizes range from 6" through to 12"s.5, from DN150 through to DN300. Completely manufactured in AISI 316 stainless steel and with a highly polished finish.

Available with wingnuts or hexnuts.

These clamps are according to FDA-A3 Standard.



SSH Type Clamp - Heavy duty for high pressure applications.
Material: AISI 304 or 316 stainless steel



SP Type Clamp - Light Duty
Sizes range from 1" through to 4", from DN25 through to DN100,
Material AISI 304 stainless steel electropolished



V-Clamps - Slip Joint Connection



Some Advantages Of The Connection:

- **Assembly time reduction – speed of assembly**
- **Forgiving regards tolerances – axial and angular**
- **Gas tight seal – even at extremities of tolerances**
- **Absorbs vibration – soft joint not a stiff connection**

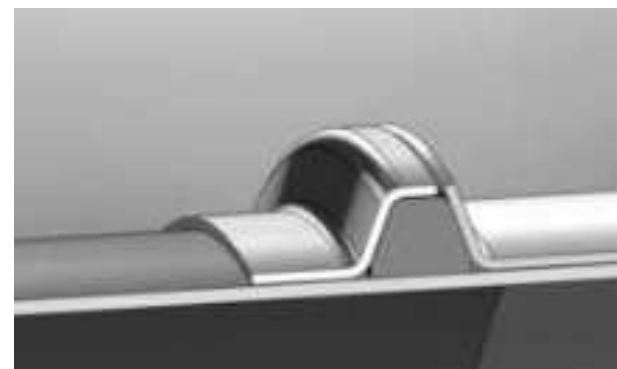
The slip joint connection can be delivered for tube diameters from 35 mm (1/4 ") to 349.2 mm (13.75").



V-Clamps - Slip Joint Connection

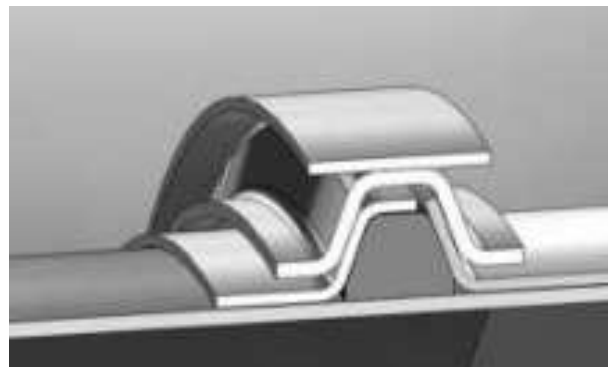


Plain Tube Inserted To Slip Flare



Slip Flare & Seal Slide Onto Plain Tube

Tube Assembly Inserted Into Flared Tube At Desired Offset



Load Is Applied To Clamp, Seal Compresses Gripping The Tube & Creating A Gas Tight Seal



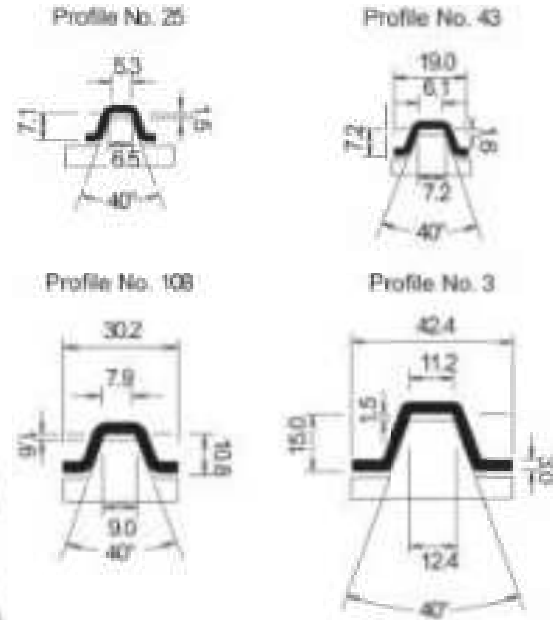
Type SX

V-Clamps without Tension Band

SX-Clamps are used in sterile applications and conform to US-FDA-A3 Standard.

The combination of rolled retainer segments and StSt precision cast lugs at the segment ends guarantees high stability on one hand and various locking assemblies at almost any diameter on the other.

Current Profiles:

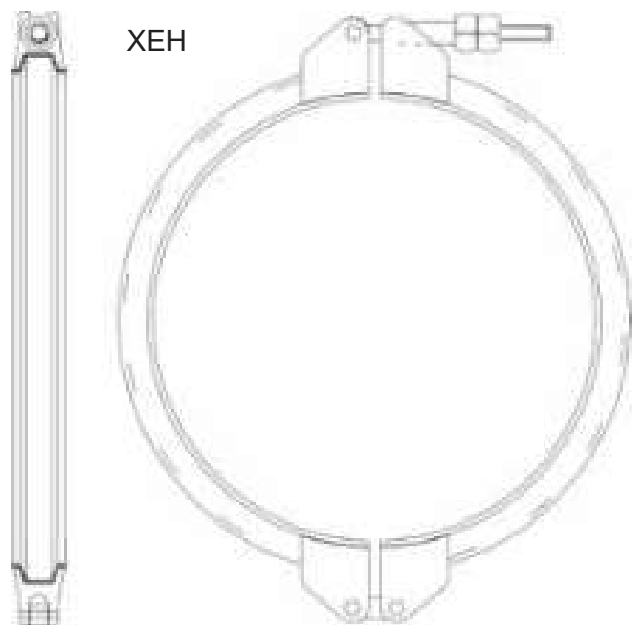


Various retainers and...

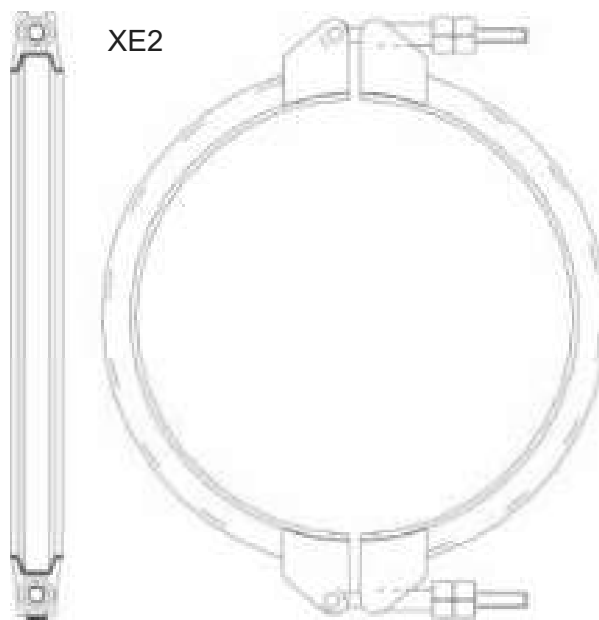
... locking styles

V-Clamps without Tension Band

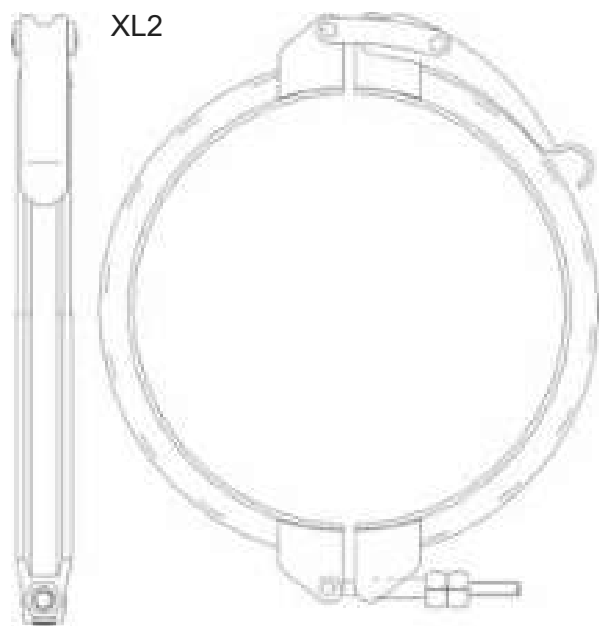
Examples Type SX



XEH

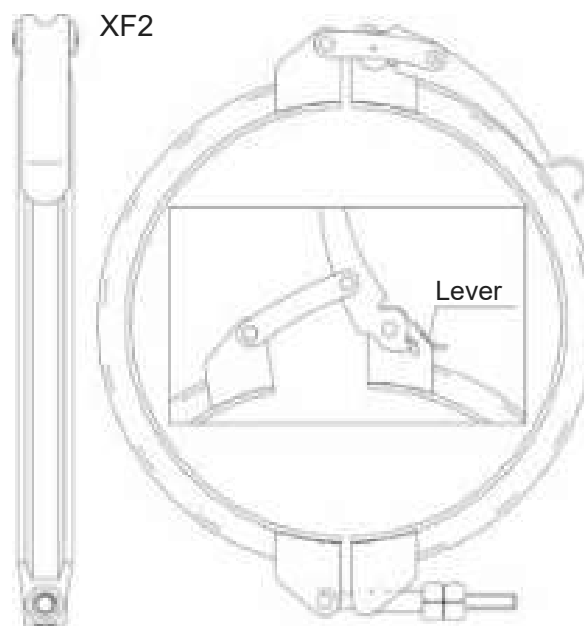


XE2



XL2

Toggle Lever and Swingbolt



XF2

Safety Lever and Swingbolt



Example Type SX

V-Clamps without Tension Band





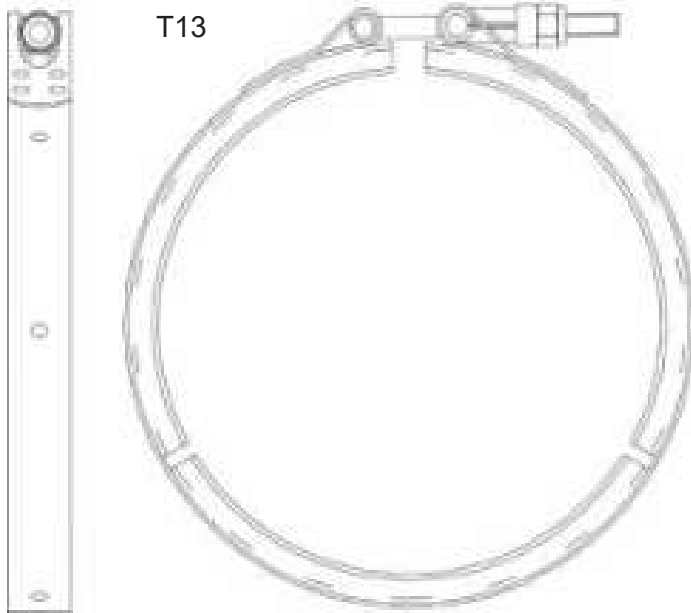
V-Clamps with Tension Band

Production to customers requirements, diameters from 50mm to 2000mm,
Material Stainless Steel 304/1.4301, 316/1.4404, others on request

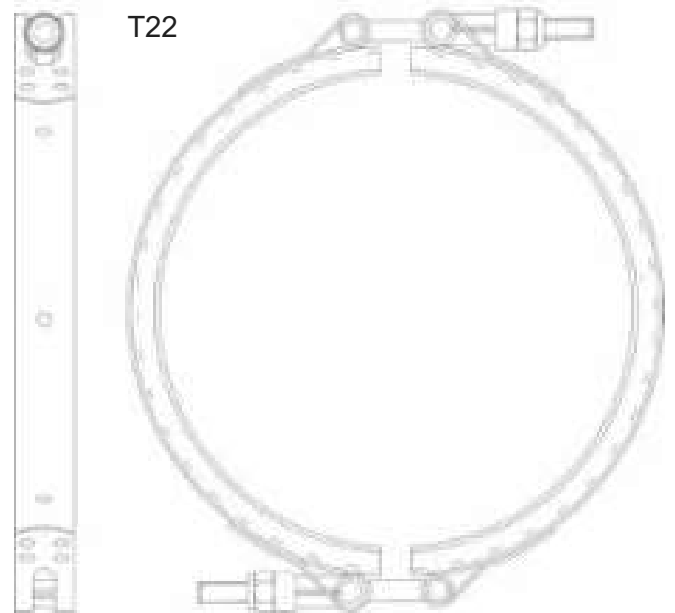


Examples

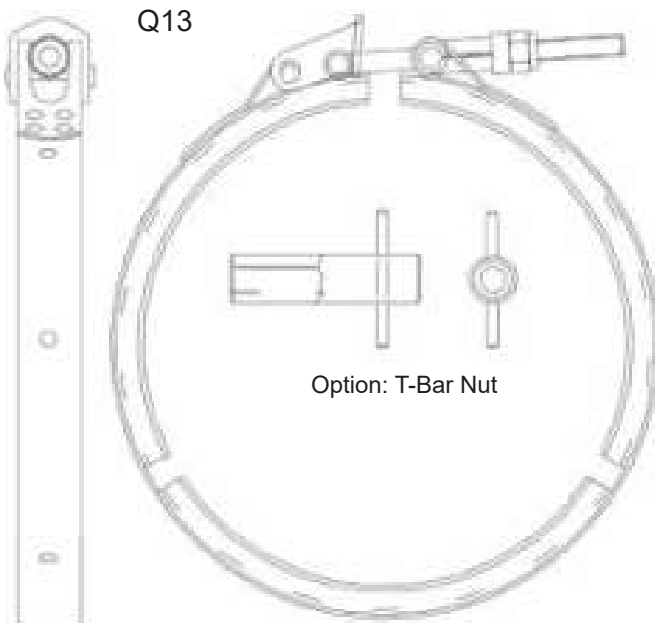
V-Clamp with Tension Band



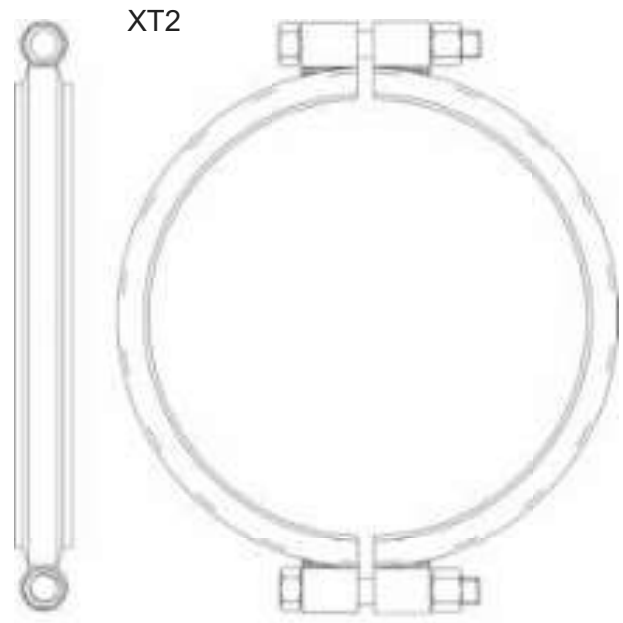
T-Bolt three Segments



Two T-Bolts, four Segments



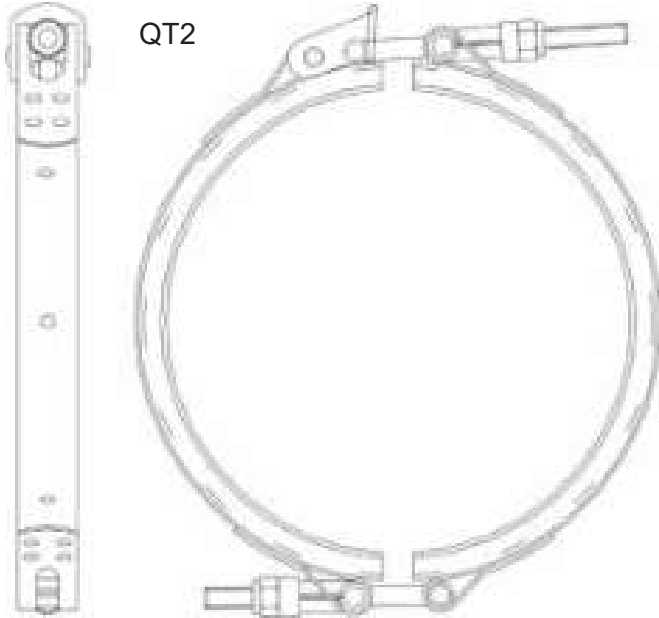
T-Bolt, Quick Coupler, three Segments



Two Segments , welded-on Tubes, Hex bolts and Nuts

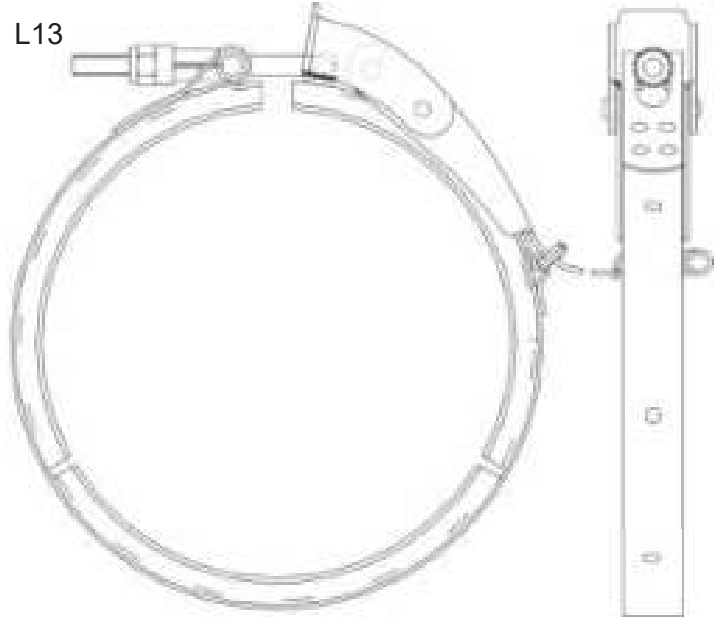
V-Clamp with Tension Band

Examples



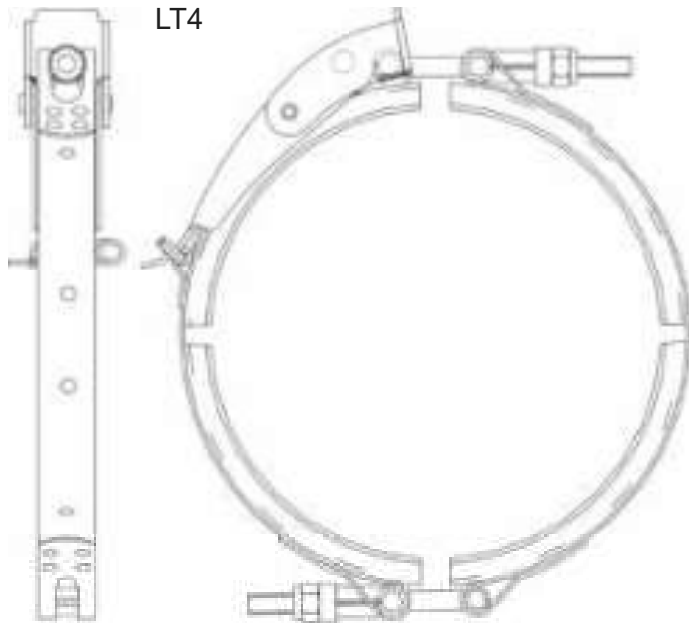
QT2

Two T-Bolts, one Quick Coupler
two Segments



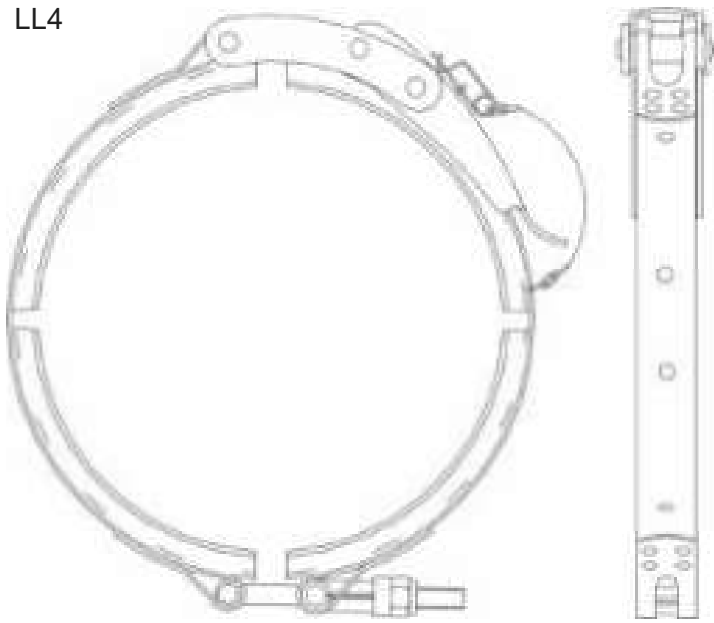
L13

One T-Bolt with Toggle Lever Safety Pin
three Segments



LT4

Two T-Bolts, one Toggle Lever
Safety Pin, four Segments



LL4

One T-Bolt, Closed Toggle Lever
Safety Pin, four Segments



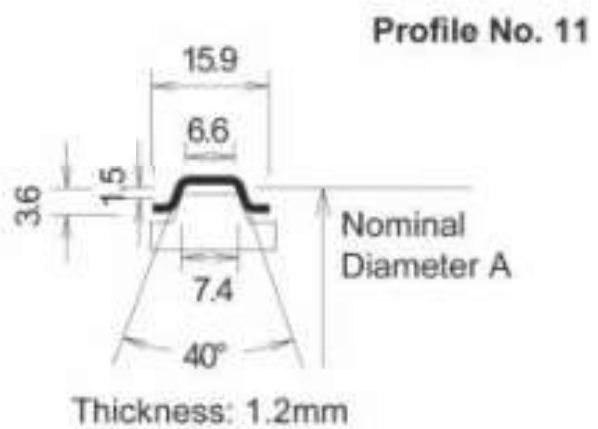
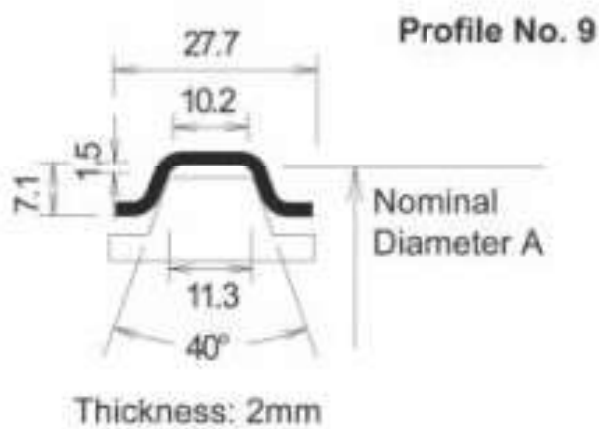
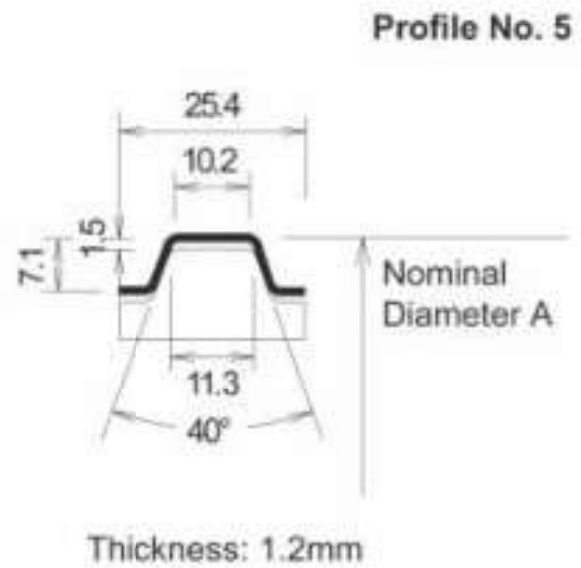
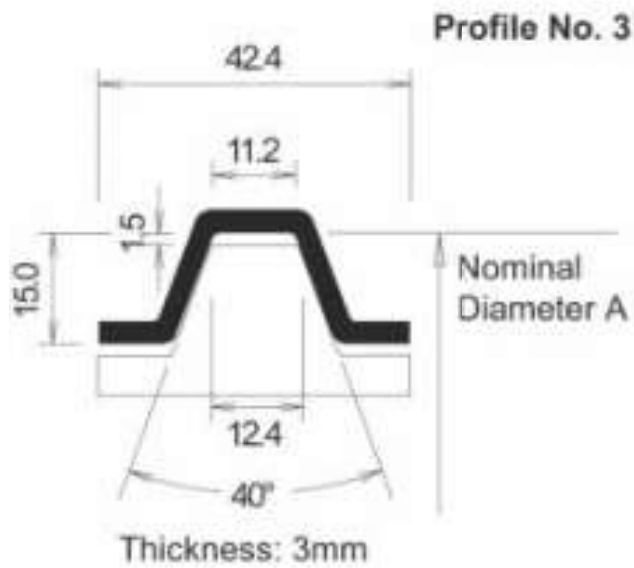
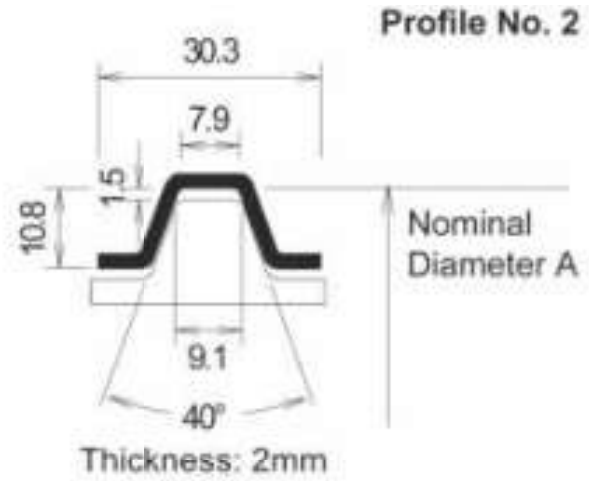
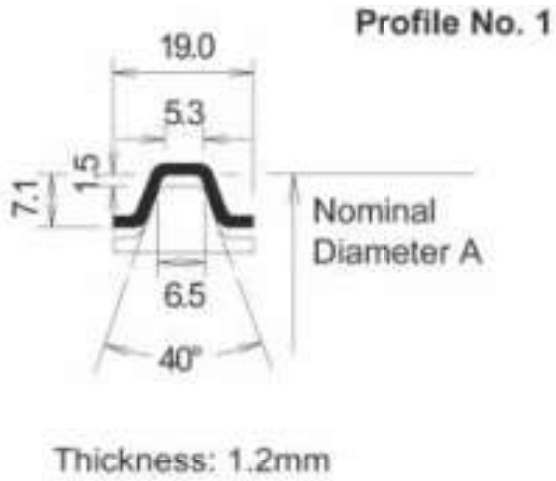
Examples

V-Clamp with Tension Band



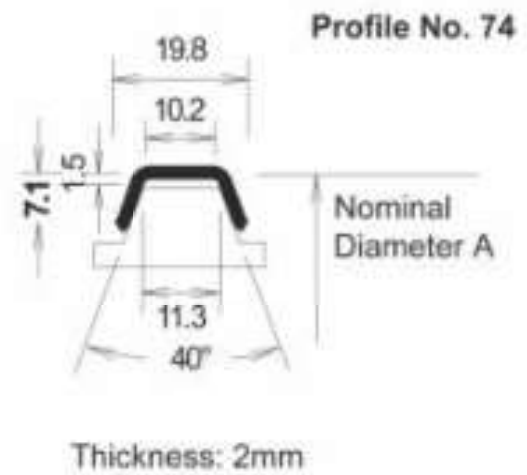
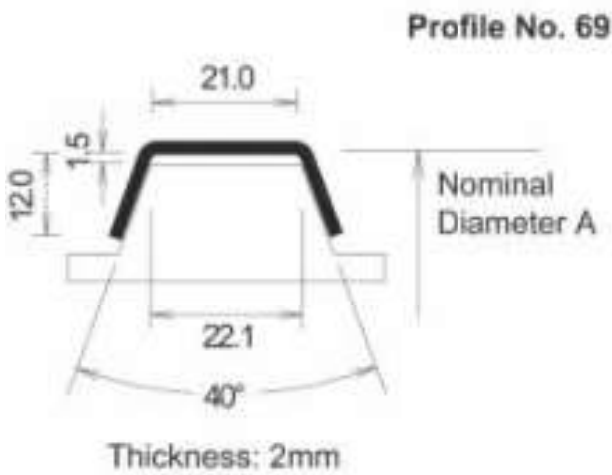
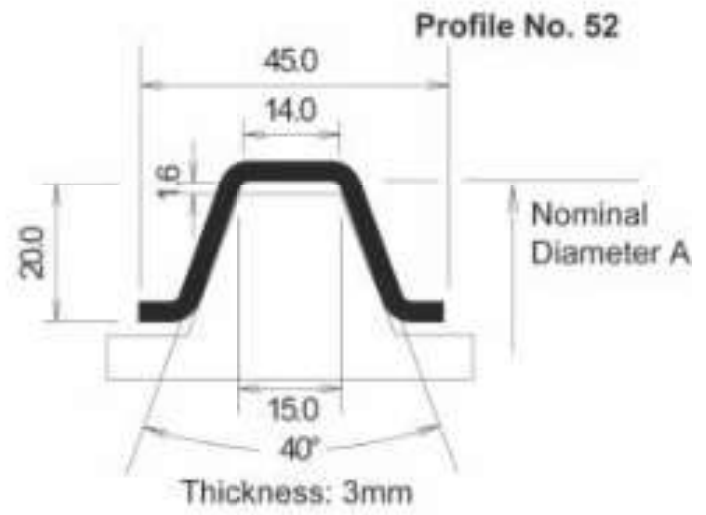
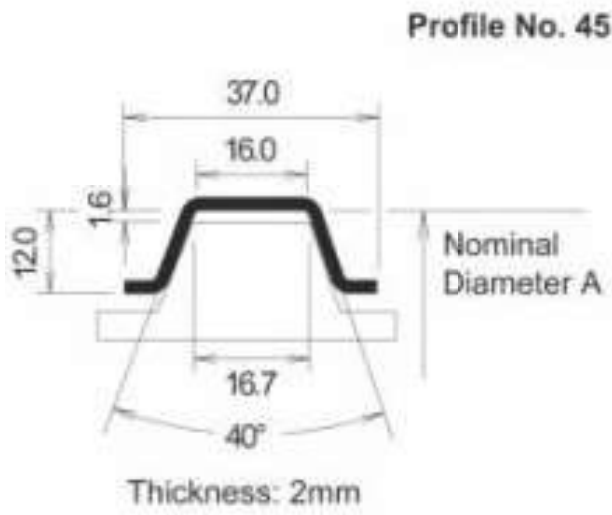
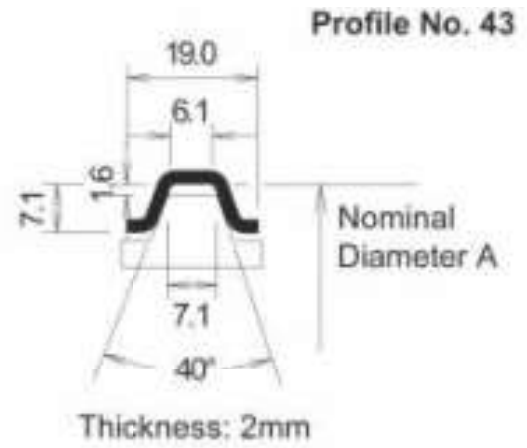
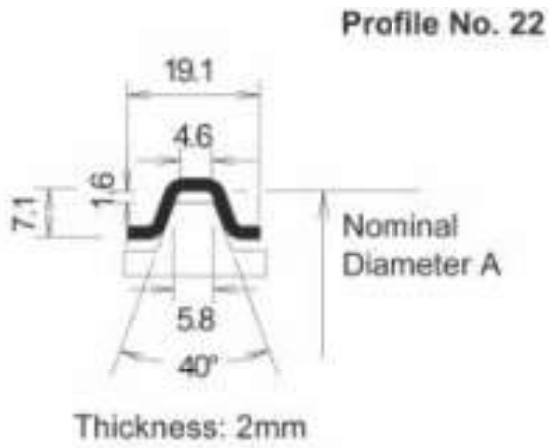
V-Clamps with Tension Band

Profile Examples



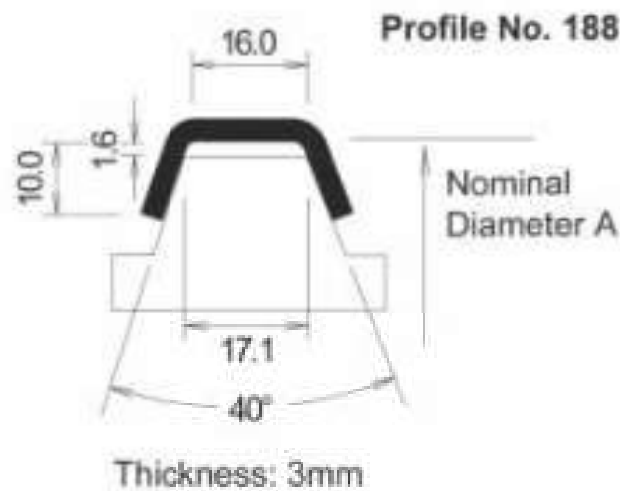
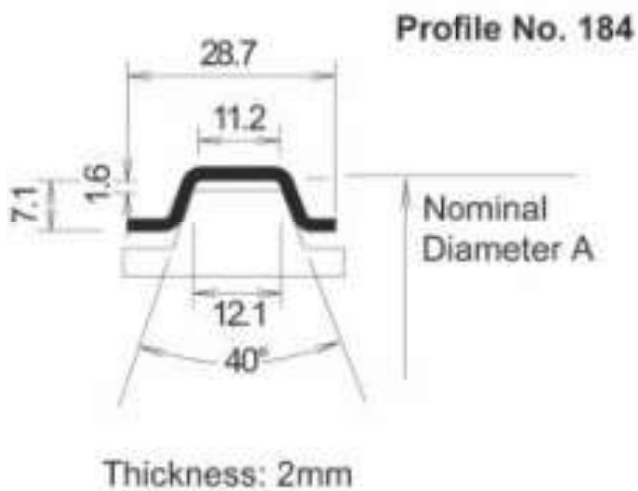
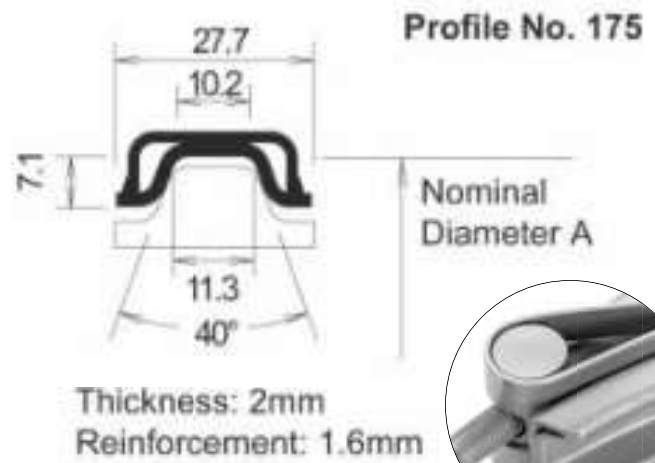
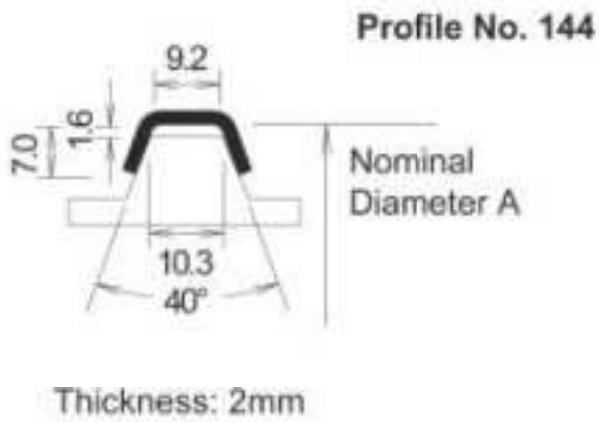
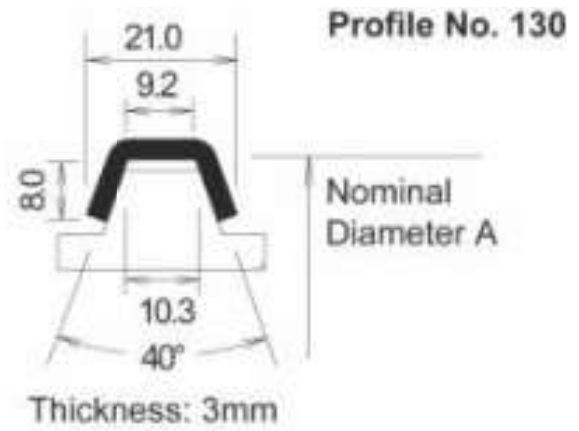
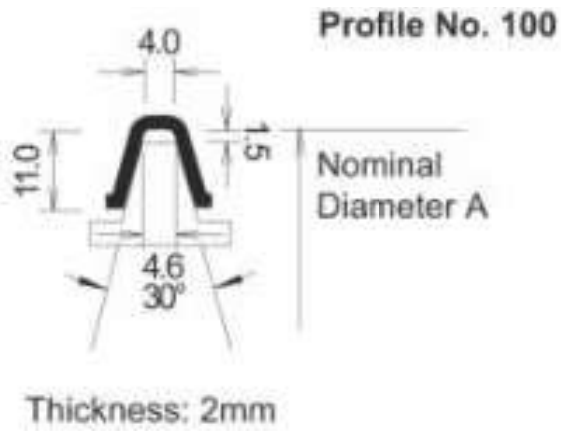
Profile Examples

V-Clamps with Tension Band

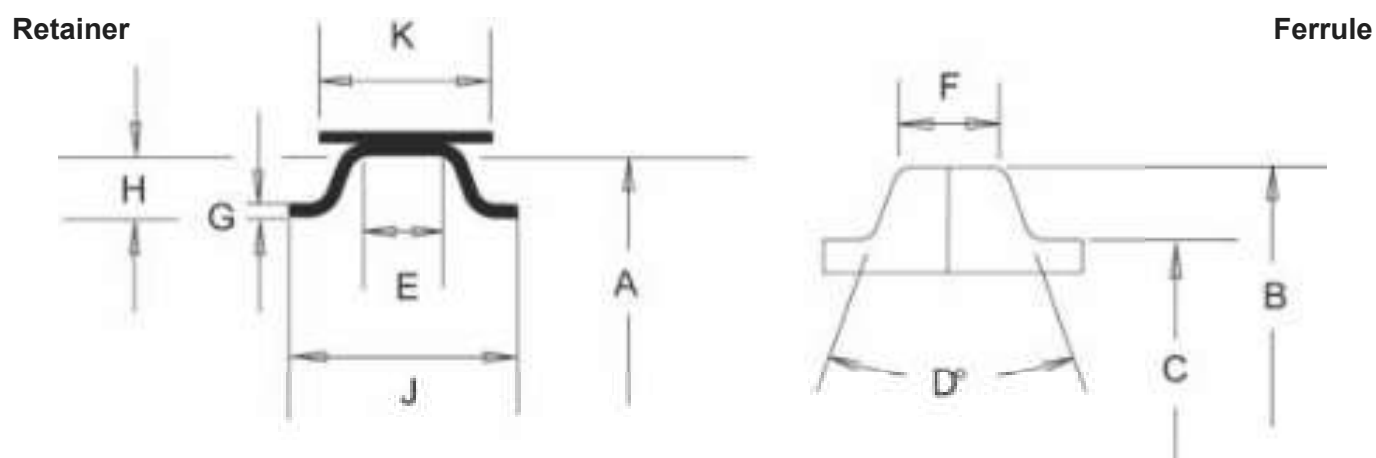


V-Clamps with Tension Band

Profile Examples



Inquiry Form



A		mm	Nenndurchmesser		Nominal Diameter	
B		mm	Flansch AD		Flange o.d.	
C		mm	Rohr AD		Pipe o.d.	
D		°	Winkel		Angle	
E		mm	Profilweite		Tip Width	
F		mm	Flanschweite		Flange Width	
G		mm	Profilstärke		Retainer Thickness	
H		mm	Profiltiefe		Retainer Depth	
J		mm	Profilbreite		Retainer Width	
K		mm	Bandweite		Strap Width	
			Werkstoff		Material	
		bar	Betriebsdruck		Working Pressure	
		bar	max. Druck		max. Pressure	
		°C	Betriebstemperatur		Working Temperature	
		°C	max. Temp.		max. Temp.	
		Nm	Momente		Moments	

Besonderheiten:

Bandclamps



Various Bandwidths

Various Thicknesses

Various Locking Assemblies

Material: Stainless Steel, 304 or similar

Surface finish e-polished on request

Material Certs on request.



Quick Coupler



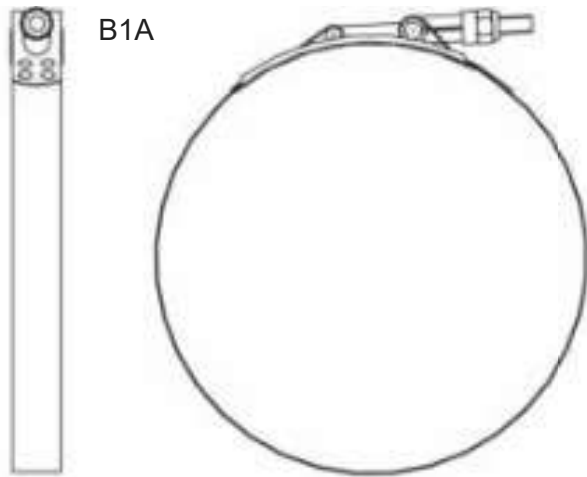
Toggle Lever



T-Bolt Assembly

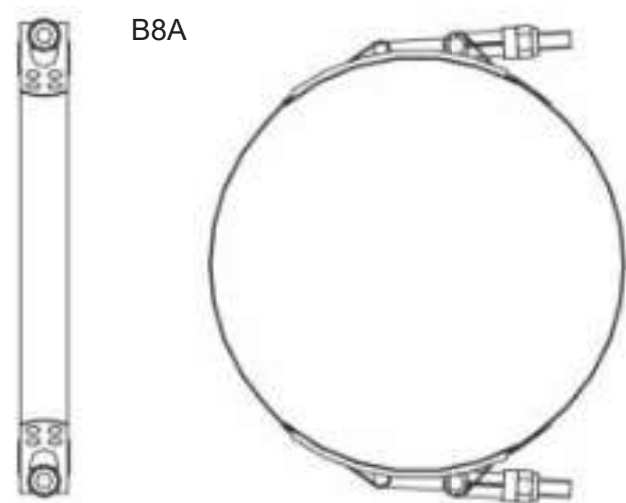
Examples

Bandclamps



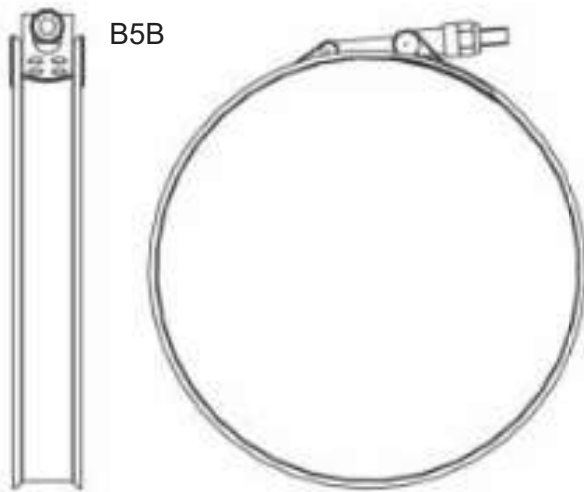
B1A

T-Bolt, Formed Tongue



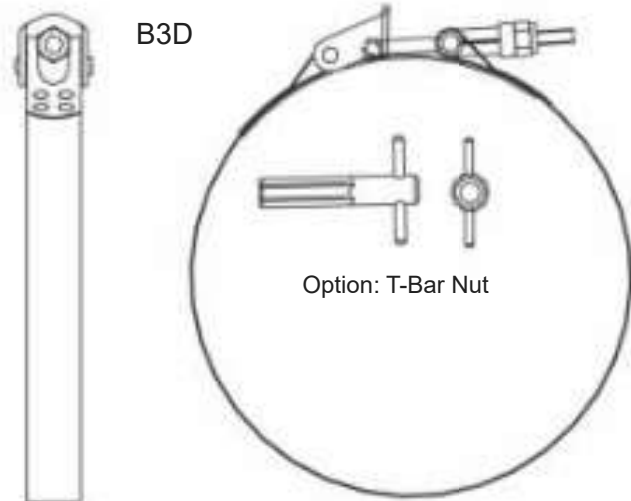
B8A

Two T-Bolts, Floating Tongues



B5B

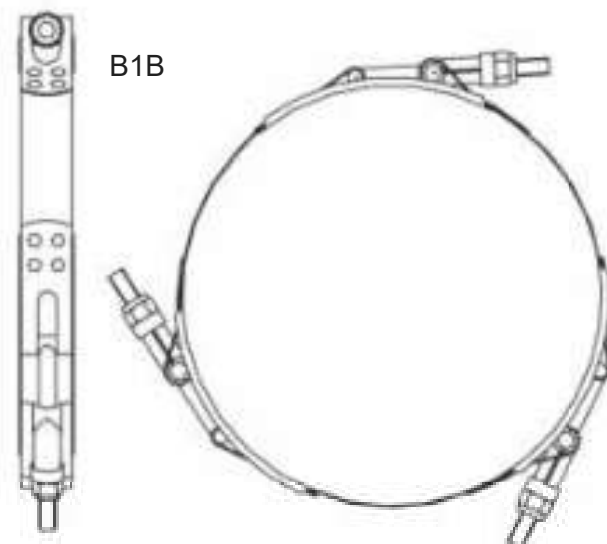
T-Bolt, Bevelled Edge



B3D

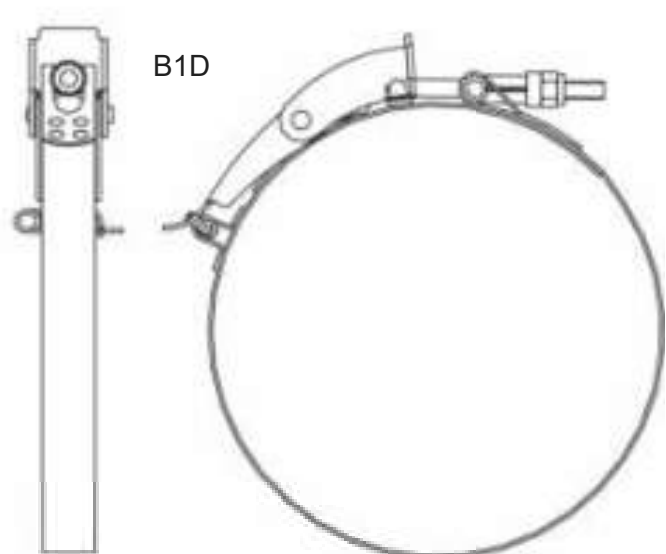
Quick Coupler

Option: T-Bar Nut



B1B

Three T-Bolts, Floating Tongues



B1D

Toggle Lever and Safety Pin.



Neoflex and Neorigid





Neoflex and Neorigid



Wide Connecting Clamp originally designed as a leakproof joint on exhaustgas systems.

Materials: Stainless Steel or
Zinc plated mild steel.

Typical Applications:

Leakage proof Pipe joints in
Exhausgas Systems, Bulk Handling
Systems, Connection to Flexitubes.

Basic Version with overlap Tongue,
Socket head cap screws
Inch or metric



Neoflex:

Designed for high leakage proof require-
ments.

Equipped with a individually machined
light alloy sealing strip to compensate the
diameter step.

Neorigid:

... without diameter step.

These Joints are available to Customers
requirements at diameters from 45mm
Width: ca. 76mm
Material thickness: 0,4mm (1.4301)







TerTech

www.tertech.no

TerTech AS

Skjelt Ole Bakken 9, 6270 BRATTVAAG, Norway
Tlf +47 71 39 02 00 / E-Mail: sales@tertech.no
www.tertech.no